

PCX-RIX8i

Remote input expander with fast inputs



EN50131-3:2009
EN50131-1:2006+A1:2009
PD6662:2010
Security Grade 2
Environmental Class II



ENGLISH

Installation Notes

NOTE: The expander module can be mounted on typical building materials; such as wood, PVC, brick or metal etc. If you do encounter any problems with different surfaces, please contact customer.support@pyronix.com.

Programming Menu's Required:

A INSTALL RIX

B PROGRAM INPUTS

C LEDs:
POWER = GREEN.
OK = BLUE. Flashing = Data OK. Off = No Data.
FAULT = RED. Flashing = Not addressed properly. Off = No faults.

Specification

Input Voltage: 9-15V
Current Consumption: 45mA
Inputs: Programmable
Inputs: DEOL, SEOL, NC, Inertia
Dimensions Plastic Box: 173 x 125 x 32mm
Dimensions PCB: 128 x 87 x 16mm
Colour and Casing: White 3mm ABS with clear polycarbonate window.
Indication: LEDs (Power, OK and Fault)
Temperature: Storage:-20°C to 60°C
Certified: -10°C to 40°C
Nominal: -10°C to 50°C
Front and rear tamper protected

Warranty

This product is sold subject to our standard warranty conditions and is warranted against defects in workmanship for a period of two years (batteries excluded). In the interest of continuing care and design, Pyronix Ltd reserves the right to amend specifications, without giving prior notice.

Product Warning Information

For electrical products sold within the European Community. At the end of the electrical products life, it should not be disposed of with household waste. Please recycle where facilities exist. Check with your Local Authority or retailer for recycling advice in your country.

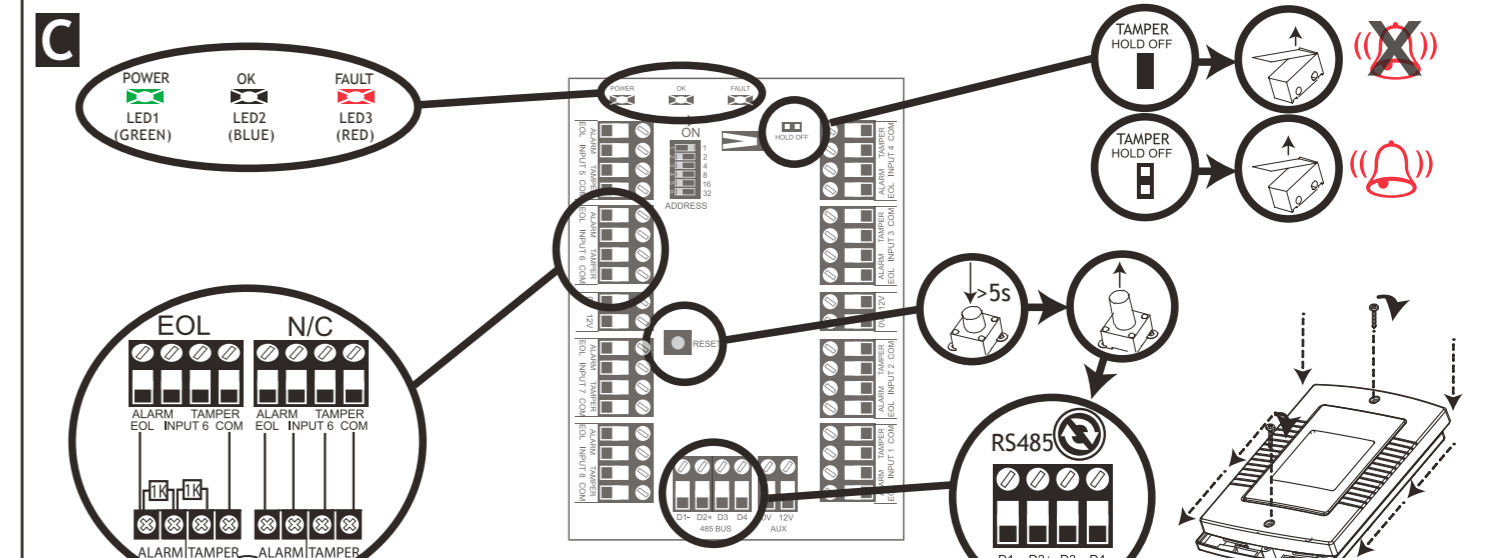
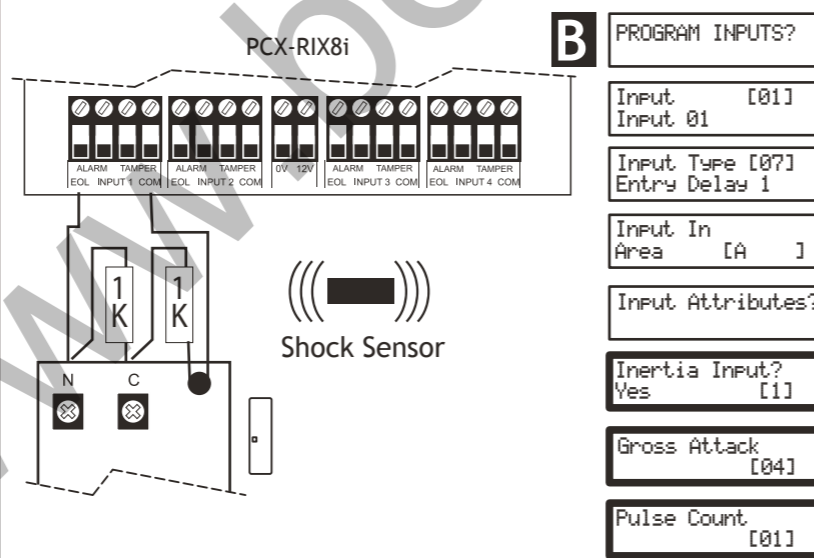
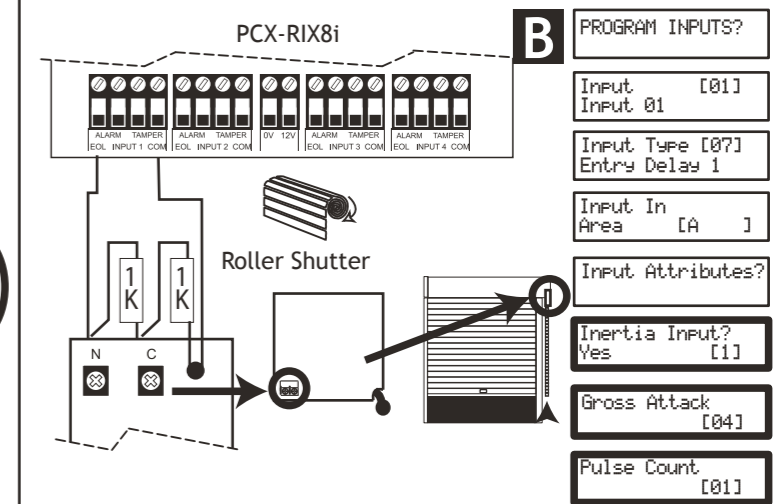
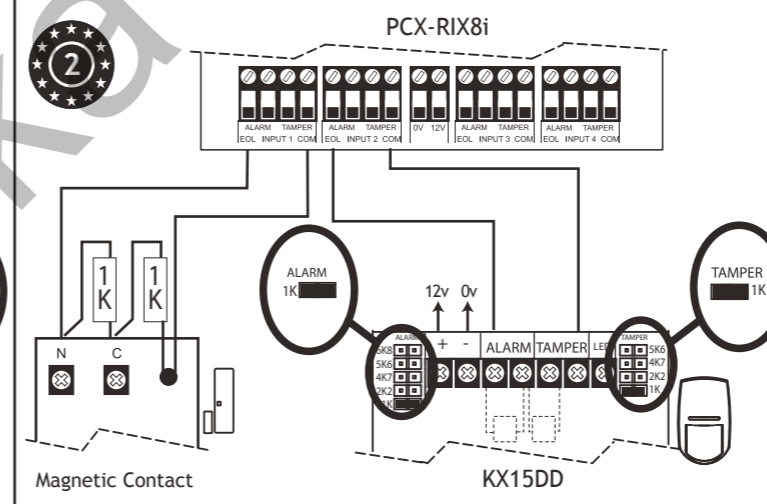
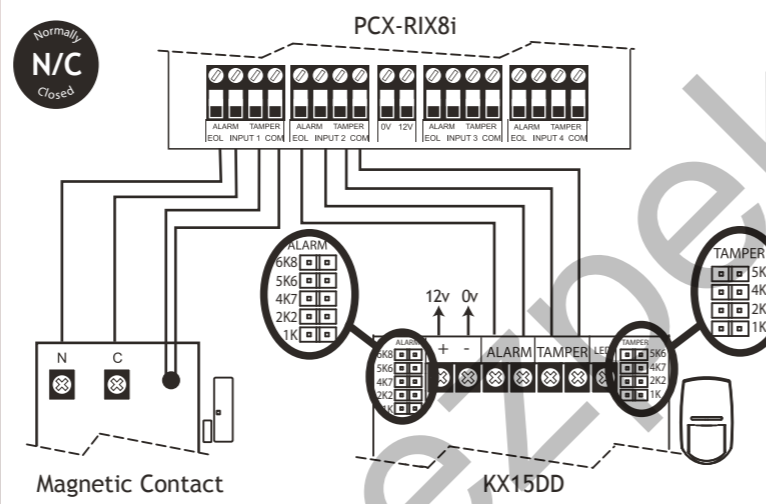
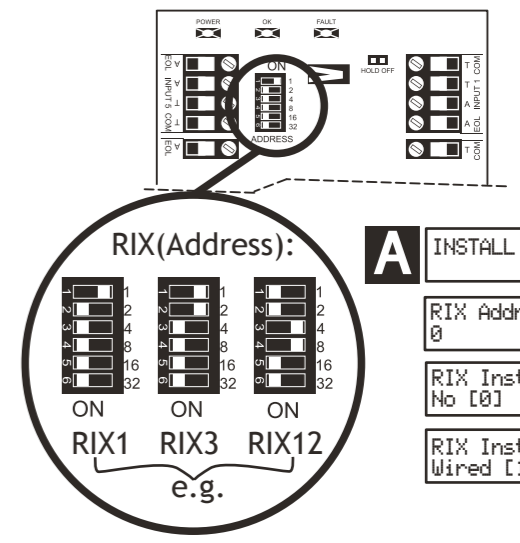
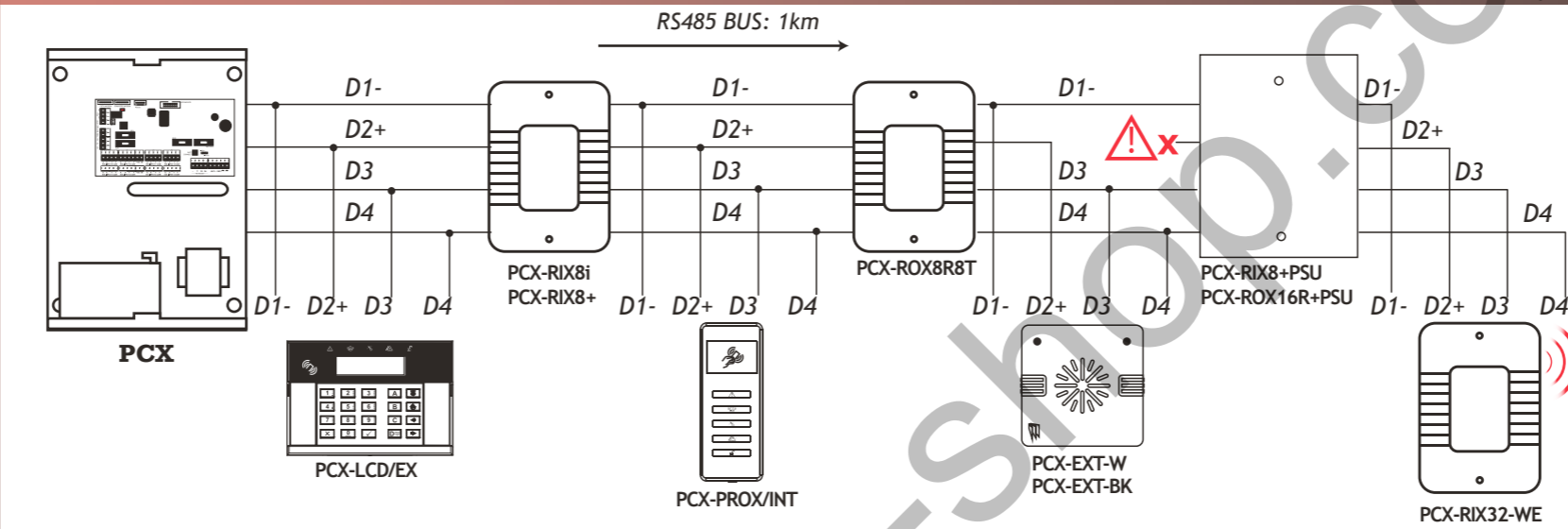
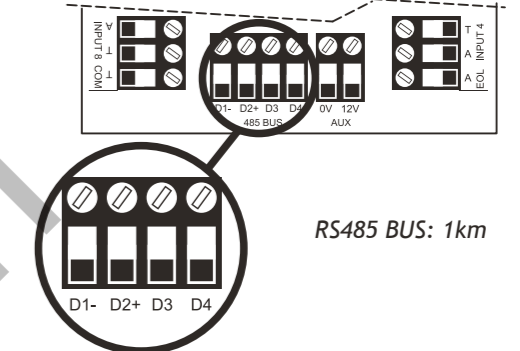
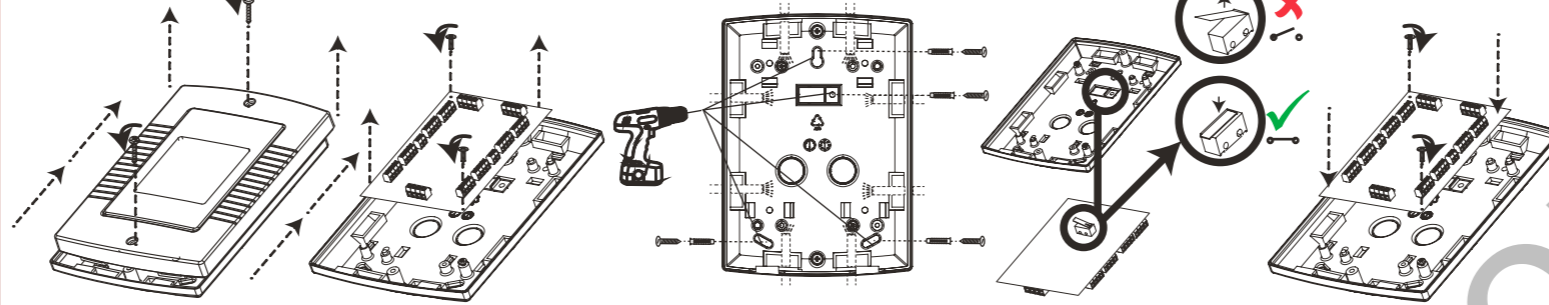
Compatible Products

The PCX-RIX8i can be connected to the following control panels/devices:

- PCX 46
- PCX 76i, 162i, 280i
- PCX 76iIP and 280iIP
- V2 GSM

Each control panel/device connects via the RS485 bus terminals: D1-,D2+,D3,D4.

START



END

