

# Smart Password Padlock Lock



## Parameters :

Unlock method	Password
Length of Password	6 digits
No. of password	10 passwords
Standby Time	12 months
Size	76*46*22 mm
IP Rating	IP67
Working Temp.	-10 ~ 45°C

## **Respected Users:**

Thanks for choosing the intelligence fingerprint hanging lock. For a better experience of using, please read the user manual carefully before using the device. Take down the plastic film on the back of the lock to power-on the system.

The default password is ①②③④⑤⑥. Input this password will unlock the device.

## **Register password:**

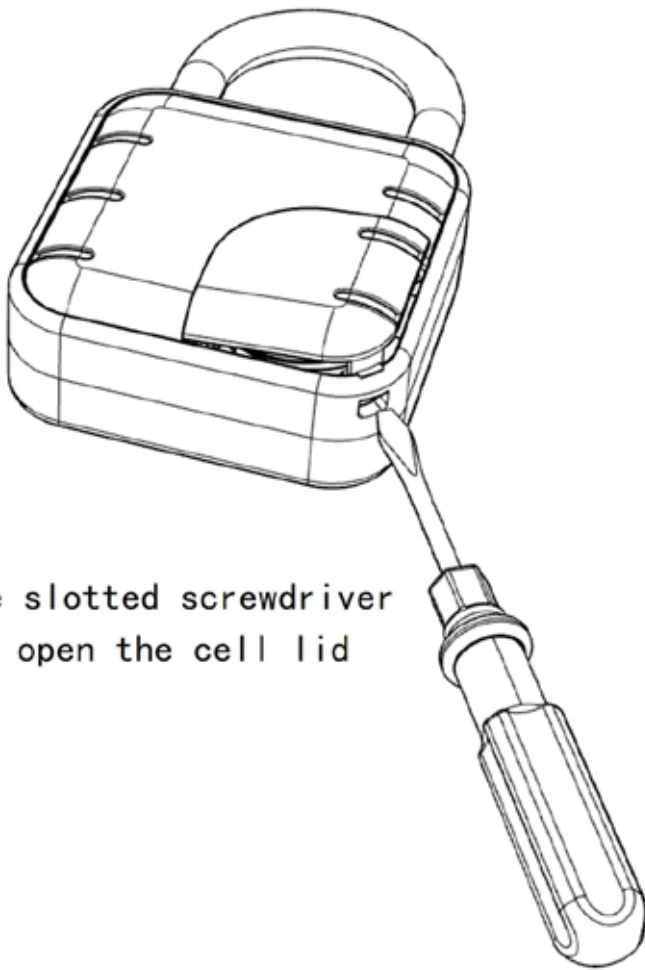
Input the password (factory default password) to unlock. Input ⑨⑨⑨⑨⑨⑨ and green light turns on. Input 6 digits desired password. The green light blinking means the password is successfully set.

## **Delete all password:**

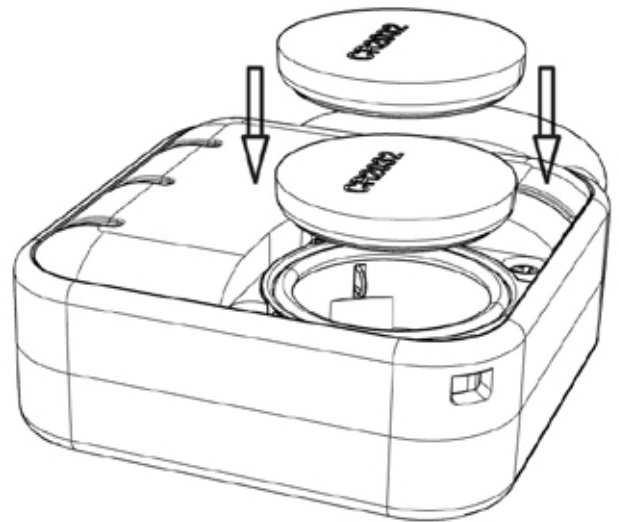
Input password to unlock the device. Input ⑦⑦⑦⑦⑦⑦ and red light turns on. Input unlock password again. Green light turns on shows all passwords are cleaned and the device turns back to factory default. Otherwise, failed to verify the password will exit the setting model.

# Trouble Shooting:

Try several more times as per instructions above to unlock the device if you see any malfunction. If still fail, please change the button cell and try again.



Use slotted screwdriver to open the cell lid



Anode face up and cathode face down