

*Since 1968*

**COMMAX**  
SmartHome & Security

# User Manual

Door Camera DRC-4CPN3



[www.commax.com](http://www.commax.com)

COMMAX Co.,Ltd.



- Thank you for purchasing COMMAX products.
- Please carefully read this User's Guide (in particular, precautions for safety) before using a product and follow instructions to use a product exactly.
- The company is not responsible for any safety accidents caused by abnormal operation of the product.

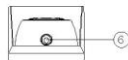
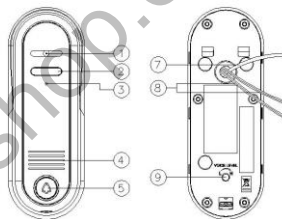
## **Contens**

1. The names of Each Part
2. Wiring & Installation
3. Package
4. Specification

## **1. The names of Each Part**

Front side

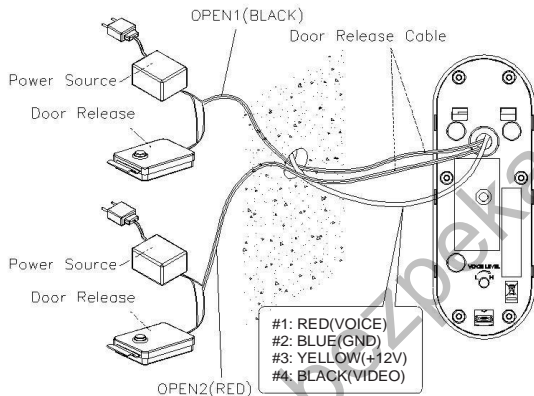
Back side



- |               |                      |
|---------------|----------------------|
| ① Camera      | ⑥ Mounting Holes     |
| ② LED Lamp    | ⑦ Monitor cable      |
| ③ Microphone  | ⑧ Door release cable |
| ④ Speaker     | ⑨ Volume control     |
| ⑤ Call Button |                      |



## 2. Wiring & Installation



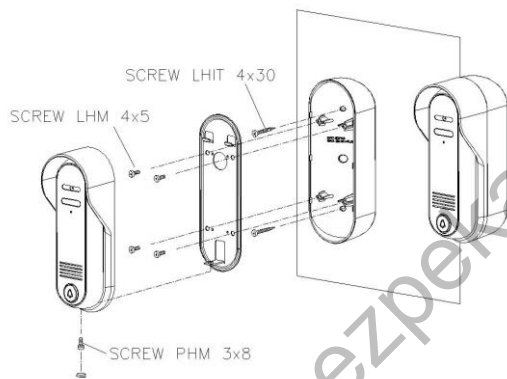
[FIG-3]

1. Align holes on the wall where the unit is to be installed with mounting brackets hole and secure.

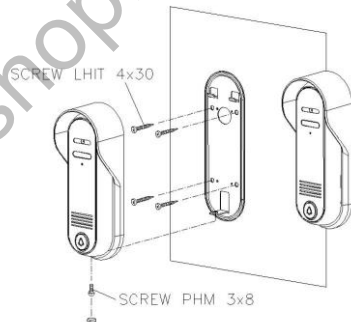
FIG-1 : Install the camera at a 30angle to the left (install the bracket in reverse to angle 30to the right)

FIG-2 : Install the camera at a perpendicular angle to the front

2. Wire the household monitor cables as shown below with matched polarity as picture below[FIG-3]  
(#1: RED/VOICE, #2: BLUE/GND, #3: YELLOW/DC12V, #4: BLACK/VIDEO)
3. Wire the door release cable as shown in the diagram.[FIG-3]
4. Tighten using bolts and a wrench, then cover using the AL. screw covers.

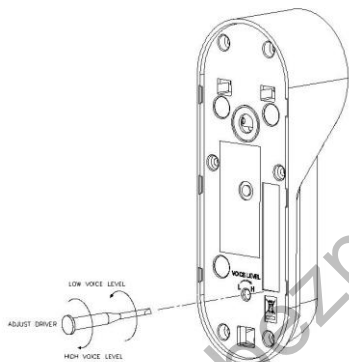


[FIG-1]



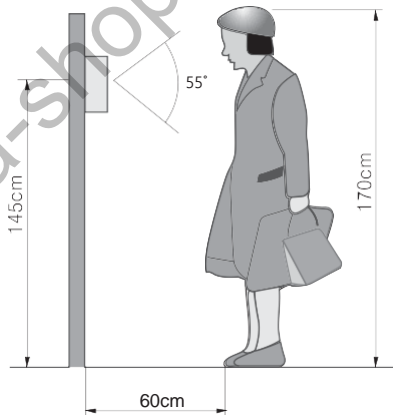
[FIG-2]

- You can adjust speaker volume using driver as shown below. [FIG-4]

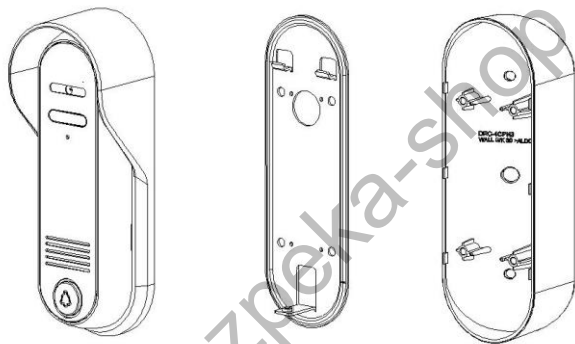


[FIG-4]

- Please refer to the below images regarding the installation position of the product.



### 3. Package



M/T HOLE CAP



SCREW PHM 3\*8



SCREW LHM 4\*5



SCREW LH1T 4\*30



## 4. Specification

specification	Model	DRC-4CPN3
Image Sensor	CMOS 1/3"	
Sensor Resolution	0.52 megapixel	
Power source	12V (supplied from the Monitor)	
Wiring (household)	Polar 4 wires	
Call mode	Duplex	
Camera angle	Horizontal angle 48.6°	
	Vertical angle 37.5°	
Format	NTSC or PAL STANDARD	
Horizontal / vertical Frequency	15.734 kHz / 60 Hz or 15.625 kHz / 50	
Lamp	Built-in white LED (automatically turns on in night)	
Low illumination	0.1 LUX (Up to 300mm in front of the camera)	
Workable temperature	-10°C (tested up to -40°C) +50°C	
Dimension (mm)	59(W) x 164(H) x 42.1(D)	
Weight (g)	415g (B/K included)	
Warranty Period	1 year	
Environment Condition	Storage Temperature	-40°C to 50°C
	Storage Humidity	Less than 90%
Product Life Cycle	10 years	

**COMMAX**

**COMMAX Co.,Ltd.**

513-11, Sangdaewon-dong, Jungwon-gu, Seongnam-si, Gyeonggi-do, Korea  
Int'l Business Dept. : Tel.; +82-31-7393-540~550 Fax.; +82-31-745-2133  
Web site : [www.commax.com](http://www.commax.com)

*Printed In Korea / 2016.04.105*