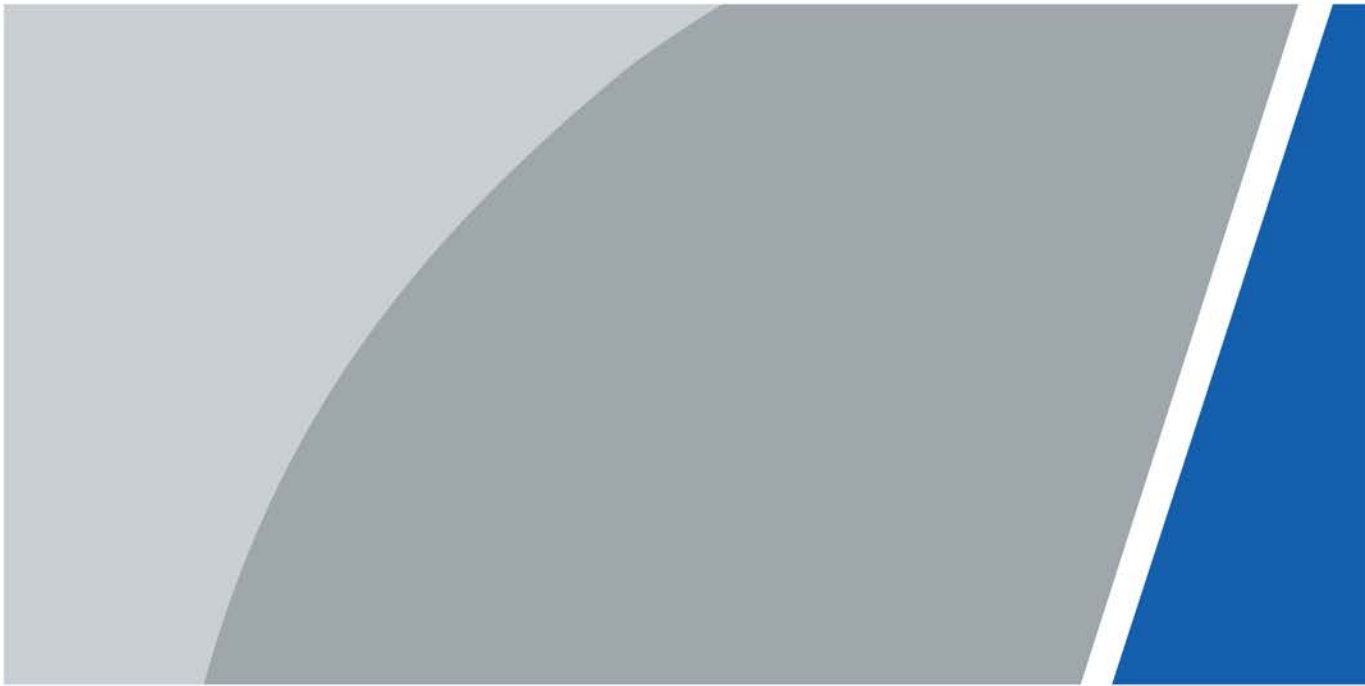


Access Reader

User's Manual






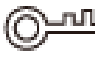

Foreword

General

This manual introduces the functions and operations of the Card Reader. Read carefully before using the device, and keep the manual safe for future reference.

Safety Instructions

The following signal words might appear in the manual.

Signal Words	Meaning
 DANGER	Indicates a high potential hazard which, if not avoided, will result in death or serious injury.
 WARNING	Indicates a medium or low potential hazard which, if not avoided, could result in slight or moderate injury.
 CAUTION	Indicates a potential risk which, if not avoided, could result in property damage, data loss, reductions in performance, or unpredictable results.
 TIPS	Provides methods to help you solve a problem or save time.
 NOTE	Provides additional information as a supplement to the text.

Revision History

Version	Revision Content	Release Time
V1.0.2	Updated the manual.	January 2023

Privacy Protection Notice

As the device user or data controller, you might collect the personal data of others such as their face, fingerprints, and license plate number. You need to be in compliance with your local privacy protection laws and regulations to protect the legitimate rights and interests of other people by implementing measures which include but are not limited: Providing clear and visible identification to inform people of the existence of the surveillance area and provide required contact information.

About the Manual

- The manual is for reference only. Slight differences might be found between the manual and the product.
- We are not liable for losses incurred due to operating the product in ways that are not in compliance with the manual.
- The manual will be updated according to the latest laws and regulations of related jurisdictions. For detailed information, see the paper user's manual, use our CD-ROM, scan the QR code or visit our official website. The manual is for reference only. Slight differences might be found between the electronic version and the paper version.
- All designs and software are subject to change without prior written notice. Product updates might result in some differences appearing between the actual product and the manual. Please contact customer service for the latest program and supplementary documentation.
- There might be errors in the print or deviations in the description of the functions, operations

and technical data. If there is any doubt or dispute, we reserve the right of final explanation.

- Upgrade the reader software or try other mainstream reader software if the manual (in PDF format) cannot be opened.
- All trademarks, registered trademarks and company names in the manual are properties of their respective owners.
- Please visit our website, contact the supplier or customer service if any problems occur while using the device.
- If there is any uncertainty or controversy, we reserve the right of final explanation.

Important Safeguards and Warnings

This section introduces content covering the proper handling of the Card Reader, hazard prevention, and prevention of property damage. Read carefully before using the Card Reader, and comply with the guidelines when using it.

Transportation Requirement



Transport, use and store the Card Reader under allowed humidity and temperature conditions.

Storage Requirement



Store the Card Reader under allowed humidity and temperature conditions.

Installation Requirements



- Do not connect the power adapter to the Card Reader while the adapter is powered on.
- Strictly comply with the local electric safety code and standards. Make sure the ambient voltage is stable and meets the power supply requirements of the Access Controller.
- Do not connect the Card Reader to two or more kinds of power supplies, to avoid damage to the Card Reader.
- Improper use of the battery might result in a fire or explosion.



- Personnel working at heights must take all necessary measures to ensure personal safety including wearing a helmet and safety belts.
- Do not place the Card Reader in a place exposed to sunlight or near heat sources.
- Keep the Card Reader away from dampness, dust, and soot.
- Install the Card Reader on a stable surface to prevent it from falling.
- Install the Card Reader in a well-ventilated place, and do not block its ventilation.
- Use an adapter or cabinet power supply provided by the manufacturer.
- Use the power cords that are recommended for the region and conform to the rated power specifications.
- The power supply must conform to the requirements of ES1 in IEC 62368-1 standard and be no higher than PS2. Please note that the power supply requirements are subject to the Card Reader label.
- The Card Reader is a class I electrical appliance. Make sure that the power supply of the Card Reader is connected to a power socket with protective earthing.

Operation Requirements



- Check whether the power supply is correct before use.
- Do not unplug the power cord on the side of the Card Reader while the adapter is powered on.
- Operate the Card Reader within the rated range of power input and output.
- Use the Card Reader under allowed humidity and temperature conditions.

- Do not drop or splash liquid onto the Card Reader, and make sure that there is no object filled with liquid on the Card Reader to prevent liquid from flowing into it.
- Do not disassemble the Card Reader without professional instruction.

Table of Contents

- ForewordI
- Important Safeguards and Warnings.....III
- 1 Product Overview 1
 - 1.1 Introduction 1
 - 1.2 Dimensions2
- 2 Wiring and Installation3
 - 2.1 Ports Overview.....3
 - 2.2 Installation Procedure.....3
- 3 Updating the System5
 - 3.1 Updating through SmartPSS Lite5
 - 3.2 Updating through Config Tool5
- Appendix 1 Cybersecurity Recommendations6

1 Product Overview

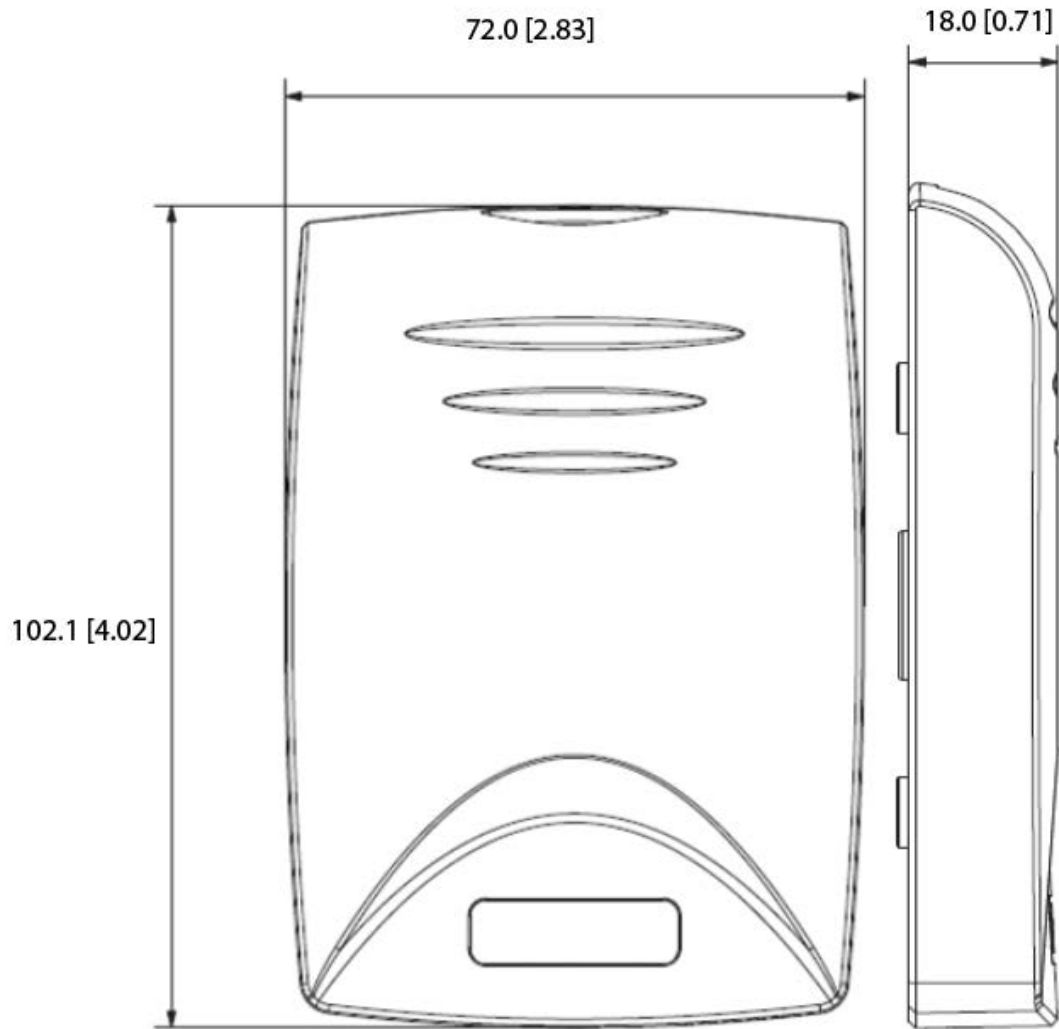
1.1 Introduction

In most access control systems, an access control card reader is a security system that requires a swipe of a credential card to verify the person entering the room/space is cleared. It is suitable for a wide variety of scenes such as office buildings, schools, compounds, communities, factories, public venues, business centers and government buildings.

- Non-contact reader (read-only), card reading distance is 3.cm-5.cm, and response time is < 0.3 s.
- Supports Wiegand Protocol and RS-485 protocol. RS-485 baud rate is 9600 bps.
- Supports watch dog.
- Supports over-current and overload protection.
- Work temperature is: -30 °C to +60 °C; working humidity is ≤95%.
- Buzzer and indicator prompts.
- Supports online update.
- Advanced key management service to reduce the risk of data leakage and or card duplication.

1.2 Dimensions

Figure 1-1 Dimensions of card reader (unit: mm[inch])



2 Wiring and Installation

2.1 Ports Overview

Table 2-1 Ports overview

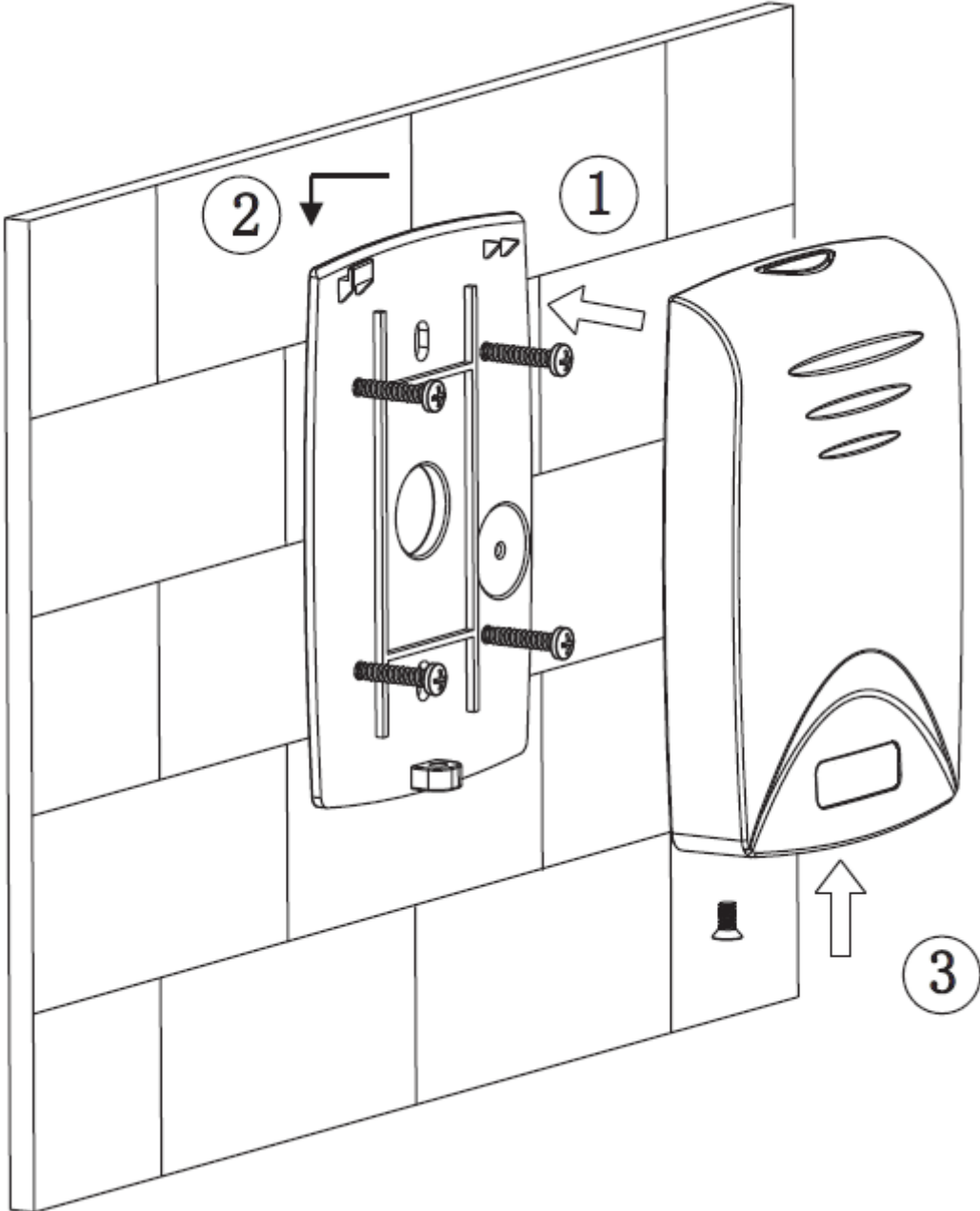
Color	Port	Description
Red	12 V	Power supply
Black	GND	
Blue	ALARM_OUT	Alarm output signals(for Wiegand card reader)
White	D1	Wiegands transmission signals (for Wiegand card reader)
Green	D0	
Brown	LED/BELL_CTRL	Wiegand responsive signals (for Wiegand card reader)
Yellow	RS-485_B	RS-485 card reader
Purple	RS-485_A	

2.2 Installation Procedure

Procedure

- Step 1 Mount the back cover to the wall by screwing in 2 self-tapping screws.
- Step 2 Attach the front cover to the back cover.
- Step 3 Screw in a screw at the bottom to secure the device.

Figure 2-1 Drill holes (unit:mm[inch])



Step 4 Apply silica gel to the gap between the device and the wall to prevent water leakage.

3 Updating the System

3.1 Updating through SmartPSS Lite

Prerequisites

- The Card Reader was added to the access controller through RS-485 wires.
- The access controller and Card Reader are powered on.

Procedure

Step 1 Install and log in to SmartPSS Lite, and then select **Device Manager**.






Step 2 Click .

Figure 3-1 Select the access controller

No.	Name	IP	Device Type	Device Model	Port	Channel Number	Online Status	SN	Operation
1	Device01	172.16.1.55	Access Controller	ASC2208C-S	37777	0/0/0/0	Online	6H029E1YAJ5FD7D	   

Step 3 Click  and  to select the update file.

Step 4 Click **Upgrade**.

The indicator of the Card Reader flashes blue until the update is completed, and then the Card Reader automatically restarts.

3.2 Updating through Config Tool

Prerequisites

- The Card Reader was added to the access controller through RS-485 wires.
- The access controller and Card Reader are powered on.

Procedure

Step 1 Install and open the Configtool, and then select **Device upgrade**.

Step 2 Click  of an access controller, and then click .

Step 3 Click **Upgrade**.

The indicator of the Card Reader flashes blue until update is completed, and then the Card Reader automatically restarts.

Appendix 1 Cybersecurity Recommendations

Mandatory actions to be taken for basic equipment network security:

1. Use Strong Passwords

Please refer to the following suggestions to set passwords:

- The length should not be less than 8 characters.
- Include at least two types of characters; character types include upper and lower case letters, numbers and symbols.
- Do not contain the account name or the account name in reverse order.
- Do not use continuous characters, such as 123, abc, etc.
- Do not use overlapped characters, such as 111, aaa, etc.

2. Update Firmware and Client Software in Time

- According to the standard procedure in Tech-industry, we recommend to keep your equipment (such as NVR, DVR, IP camera, etc.) firmware up-to-date to ensure the system is equipped with the latest security patches and fixes. When the equipment is connected to the public network, it is recommended to enable the "auto-check for updates" function to obtain timely information of firmware updates released by the manufacturer.
- We suggest that you download and use the latest version of client software.

"Nice to have" recommendations to improve your equipment network security:

1. Physical Protection

We suggest that you perform physical protection to equipment, especially storage devices. For example, place the equipment in a special computer room and cabinet, and implement well-done access control permission and key management to prevent unauthorized personnel from carrying out physical contacts such as damaging hardware, unauthorized connection of removable equipment (such as USB flash disk, serial port), etc.

2. Change Passwords Regularly

We suggest that you change passwords regularly to reduce the risk of being guessed or cracked.

3. Set and Update Passwords Reset Information Timely

The device supports password reset function. Please set up related information for password reset in time, including the end user's mailbox and password protection questions. If the information changes, please modify it in time. When setting password protection questions, it is suggested not to use those that can be easily guessed.

4. Enable Account Lock

The account lock feature is enabled by default, and we recommend you to keep it on to guarantee the account security. If an attacker attempts to log in with the wrong password several times, the corresponding account and the source IP address will be locked.

5. Change Default HTTP and Other Service Ports

We suggest you to change default HTTP and other service ports into any set of numbers between 1024–65535, reducing the risk of outsiders being able to guess which ports you are using.

6. Enable HTTPS

We suggest you to enable HTTPS, so that you visit Web service through a secure communication channel.

7. MAC Address Binding

We recommend you to bind the IP and MAC address of the gateway to the equipment, thus reducing the risk of ARP spoofing.

8. Assign Accounts and Privileges Reasonably

According to business and management requirements, reasonably add users and assign a

minimum set of permissions to them.

9. **Disable Unnecessary Services and Choose Secure Modes**

If not needed, it is recommended to turn off some services such as SNMP, SMTP, UPnP, etc., to reduce risks.

If necessary, it is highly recommended that you use safe modes, including but not limited to the following services:

- SNMP: Choose SNMP v3, and set up strong encryption passwords and authentication passwords.
- SMTP: Choose TLS to access mailbox server.
- FTP: Choose SFTP, and set up strong passwords.
- AP hotspot: Choose WPA2-PSK encryption mode, and set up strong passwords.

10. **Audio and Video Encrypted Transmission**

If your audio and video data contents are very important or sensitive, we recommend that you use encrypted transmission function, to reduce the risk of audio and video data being stolen during transmission.

Reminder: encrypted transmission will cause some loss in transmission efficiency.

11. **Secure Auditing**

- Check online users: we suggest that you check online users regularly to see if the device is logged in without authorization.
- Check equipment log: By viewing the logs, you can know the IP addresses that were used to log in to your devices and their key operations.

12. **Network Log**

Due to the limited storage capacity of the equipment, the stored log is limited. If you need to save the log for a long time, it is recommended that you enable the network log function to ensure that the critical logs are synchronized to the network log server for tracing.

13. **Construct a Safe Network Environment**

In order to better ensure the safety of equipment and reduce potential cyber risks, we recommend:

- Disable the port mapping function of the router to avoid direct access to the intranet devices from external network.
- The network should be partitioned and isolated according to the actual network needs. If there are no communication requirements between two sub networks, it is suggested to use VLAN, network GAP and other technologies to partition the network, so as to achieve the network isolation effect.
- Establish the 802.1x access authentication system to reduce the risk of unauthorized access to private networks.
- Enable IP/MAC address filtering function to limit the range of hosts allowed to access the device.