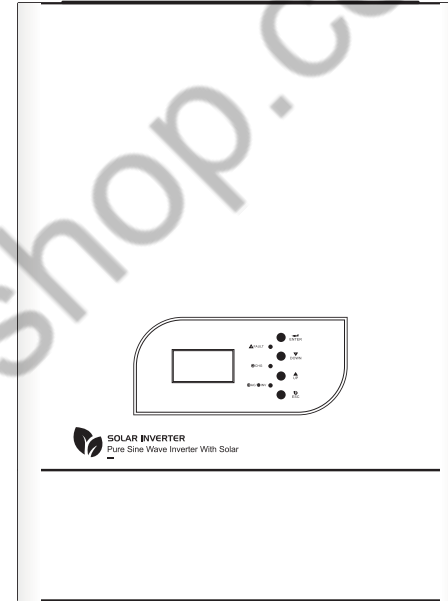


Smart choice for power

**vs Series**  
Inverter/Charger

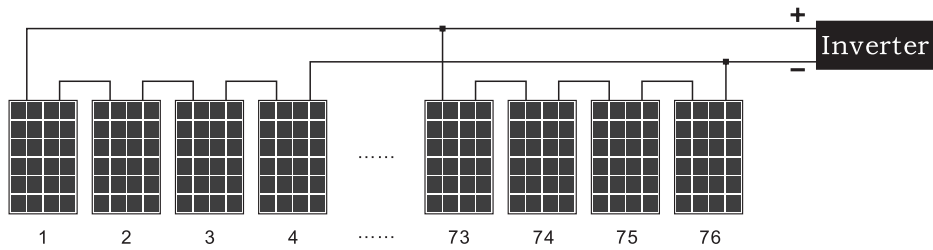


**10048**

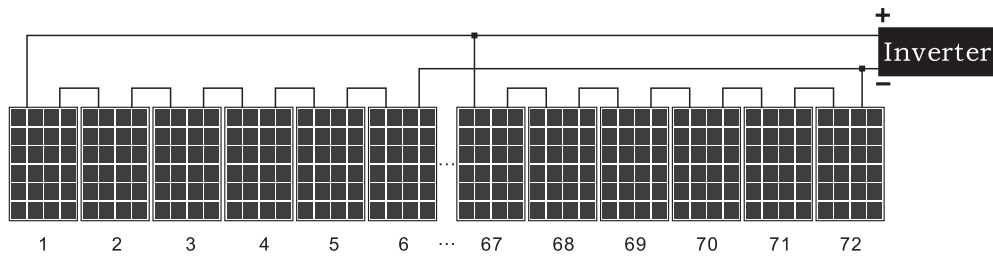
**USER  
MANUAL**

**FULL   
ENERGY**

**vs Series**  
Inverter/Charger



MPPT controller: Every 6 PV panels are connected in series into one group, and 12 groups of PV panels are connected (it can be connected same as PWM).



● Daily power generation of solar panels:

Power generation = total solar panel power × controller conversion efficiency × local sunshine average time

## Trademarks

Other trademarks, registered trademarks, and product names are the property of their respective owners and are used herein for identification purposes only.

## Exclusion for Documentation

- (A) Makes no warranty as to the accuracy, sufficiency or suitability of any technical or other information provided in its manual or other documentation.
- (B) Assumes no responsibility or liability for losses, damages, cost or expenses, whether special, direct, indirect, consequential or incidental, which might arise out of the use of such information. The use of such information will be entirely at the user's risk.

## TABLE OF CONTENT

1. Important Safely Instructions.....	1
2. Description.....	3
3. Operation.....	5
4. Installation.....	9
5. Troubleshooting.....	16
6. Installation.....	16
7. Technical Data.....	18
8. Warranty scope.....	19
Appendix.....	20

- In either case, the total output power is the power of a single PV panel × the total number of PV panels. The criteria for configuring PV panels is that the total power should be equal to or slightly greater than the maximum allowable PV power of the solar controller (please refer to the technical parameter table ). The excess capacity of PV panels does not contribute to the capacity of solar chargers and will only lead to higher installation costs.

- The total Ipm of the PV panels should be less than the maximum charging current of the inverter (120A) .

- The total Voc of the PV panel should be less than the maximum PV input voltage of the inverter (please refer to the technical parameter table).

**Example 1:** Take the 48 V inverter as an example to select the appropriate PV module. Consider that the total Voc of the PV panel cannot exceed the maximum ( PWM controller 105 V / MPPT controller 150 V ) . The total power should be equal to or slightly greater than 6100W , we can choose the following specifications of PV panels.

Maximum power (Pmax)	80W	The number of PV panels connected in series for each group: PWM→4 PCS (4*21.6V<105V) MPPT→6 PCS (6*21.6V<150V) Total number of PV panels: 76PCS→6100W/80W= 76 (PCS) Number of groups that can be connected in parallel: PWM→19groups (76/4 = 19 groups) MPPT →12groups (76/6 =12groups)
Rated voltage Vpm(V)	18V	
Rated current Ipm(A)	4.46A	
Open circuit voltage Voc(V)	21.6V	
Short circuit current Isc(A)	4.8A	

**The configuration scheme of the 48V inverter is:**

PWM controller: Every 4 PV panels are connected in series into one group, and 19 groups of PV panels are connected .

## Appendix

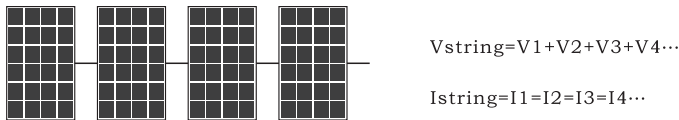
### How to choose and configure PV panels

The following parameters can be found in the specifications of each PV panel:

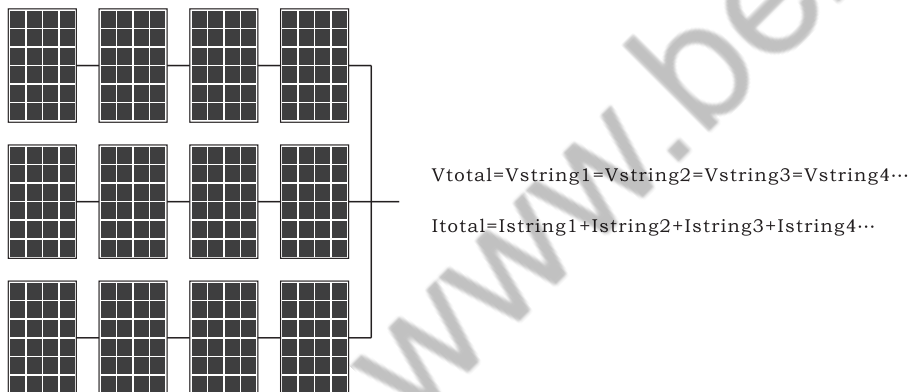
- Pmax: Maximum output power (W)
- Voc: Open circuit voltage (V)
- Isc: Short circuit current (A)
- Vpm: Rated voltage (V)
- Ipm: Rated current (A)

PV panels can be connected in series or in parallel to obtain the required output voltage and current to meet the allowable range of the solar controller.

When connecting PV panels in series, the total maximum voltage and current are:



When the PV panels that have been connected in series are connected in parallel, the total maximum voltage and current are:



## 1. IMPORTANT SAFETY INSTRUCTIONS

### SAFETY INSTRUCTIONS

#### 1.1 General

Please familiarize yourself with the safety features and instructions by first reading the documentation supplied with this product before using the equipment. This product has been designed and tested in accordance with international standards. The equipment must be used exclusively for the purpose for which it was designed.



The product is used in conjunction with a permanent energy source (battery). Input and/or output terminals may still be dangerously energized, even when the equipment is switched off. Always switch off the AC supply and the battery before carrying out maintenance or servicing the product.

The product has no internal user-serviceable components. Do not remove the front plate or operate the product if any panels have been removed. Only Qualified personnel must undertake all servicing.

Never use the product in around where there is a risk of gas or dust explosions. (before using) Consult the battery manufacturer's to confirm the products if can be used with the battery. Always comply with the battery manufacturer's safety instructions.

#### 1.2 Installation

Read the installation instructions in the installation manual before installing the equipment.

This is a Safety Class I product (supplied with a protective grounding terminal). Uninterruptible protective grounding must be provided at the AC input and/or output terminals. Alternatively the grounding point

located externally on the product may be used. Whenever it is likely that the grounding protection has been damaged, the product must be turned off and secured against unintended operation.

Ensure that the DC and AC input cables are fused and fitted with circuit breakers. Never replace a safety component with a different type. Always consult the manual to determine the correct component.

Before applying power, ensure that the available power source matches the required specification of the product as described in the manual.

Ensure that the equipment is used under the correct ambient conditions. Never operate the product in a wet or dusty environment. Ensure there is adequate free space for ventilation around the product and check that the ventilation vents are not blocked.

Ensure that the required system voltage does not exceed the product's capacity.

### **1.3 Transport and Storage**

Ensure that the mains power and battery leads have been disconnected before storing or transporting the product.

No liability can be accepted for any transport damage if the equipment is shipped in non-original packaging.

Store the product in a dry environment; the storage temperature must be between -20°C and 60°C.

Consult the battery manufacturer's manual in respect of transport, storage, charging, recharging and disposal of the battery.

## **8. WARRANTY SCOPE:**

**The following is not within the scope of warranty:**

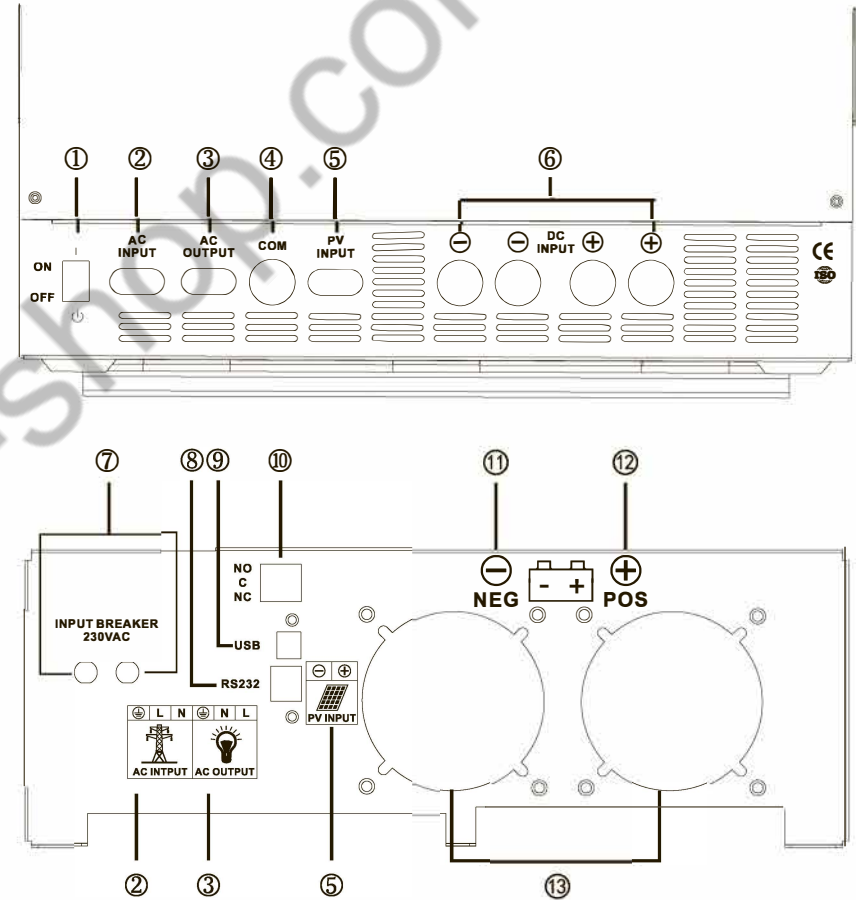
- (a) Battery configured by user.
- (b) Do not operate according to the user's manual, resulting in damage to the machine.
- (c) Mechanical damage due to natural disasters such as fire, flood, etc.
- (d) Products beyond the warranty period, the implementation of paid maintenance services

## 7. TECHNICAL DATASHEET

<b>MODEL</b>	<b>10048</b>
<b>Input</b>	
Capacity (VA)	10000VA
Voltage (DC)	48V
Nominal Voltage	220VAC/110VAC
Voltage Range	154-264VAC/77-132VAC
Frequency	50-60Hz Auto sensing
<b>Output</b>	
Watt	8000W
Voltage	220VAC/110VAC
Frequency	50/60Hz
Waveform	Pure sinewave
Transfer time(AC to DC)	<8ms
Transfer time(DC to AC)	<8ms
Output voltage regulation	10%rms
Bypass Mode	Yes
Saver Mode	Yes
Efficiency	>98%
<b>Protection</b>	
Input Protection	Circuit Breaker
Output Protection	Circuit Breaker
<b>Battery</b>	
Battery Type	AGM-Deep Cycle,GEL Up to 500Ah
Charging current	50A
Low Level disconnect(Selectable)	(10V or 10.5V) x N N means the number of batteries in series
LCD Indicator status	Input AC,Output AC
	Battery DC,Output Load
	Alarm,Fault
LED Indicator status	Battery Charge Level
	Output Frequency
	AC Line In:Green Inverter:Green Charging:Yellow Alarm:Red
Battery low alarm	battery light discharge 11.5V*N; battery load discharge 11.5V*N@load<20%; 11V*N@load>50% / 10.5V*N@load>50%;
Battery low recovery	battery light discharge 12V*N; battery load discharge 12V*N@load<20%; 11.5V*N@load>50% / 11V*N@load>50%;
DC low voltage shutdown	battery light discharge 11V*N; battery load discharge 11V*N@load<20%; 10.5V*N@load>50% / 10V*N@load>50%;
DC high voltage alarm and fault	16V*N
DC high voltage recovery	15V*N
Maximum PV array power	48V:6400W
MPPT/PWM input voltage range	48V:MPPT60-150VDC(or PWM60VDC-105VDC)
Maximum PV array open circuit voltage	48V:MPPT150VDC(or PWM105VDC)
Maximum solar charging current	120A
<b>Alarm</b>	
Low battery alarm	Audible alarm-1 beeping per second
Overload alarm	Audible alarm-continuous beeping
Fault	Audible alarm-continuous beeping
<b>Environment</b>	
Temperature	0-40
Humidity	C0-95 %, Non condensing
Acoustic Noise(db)	>55dB

## 2. DESCRIPTION

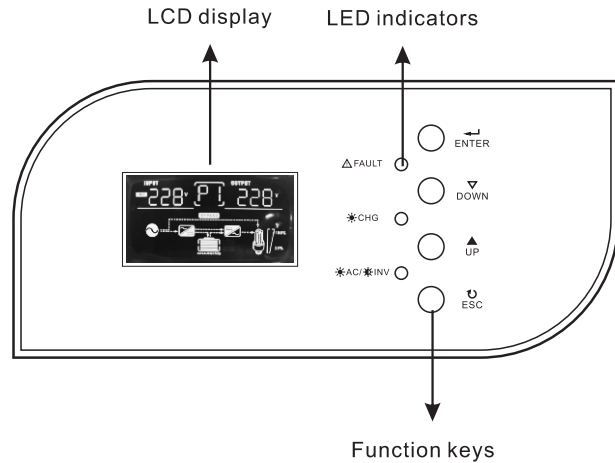
Fig 1:Inverter



- 1.....Power on/ off switch
- 2.....AC input
- 3.....AC output
- 4.....Communication port
- 5.....PV input
- 6.....Battery input
- 7.....Input breaker

- 8.....RS232 communication port
- 9.....USB communication port
- 10...Dry contact
- 11...Battery terminal negative
- 12...Battery terminal positive
- 13...Fan

**Fig 2 : LCD SCREEN**



**LED INDICATOR**

LED Indicator		Messages	
☀️ AC/☀️ INV	Green	Solid On	Output is powered by utility in Line mode.
		Flashing	Output is powered by battery or PV in battery mode.
☀️ CHG	Yellow	Solid On	Battery is fully charged.
		Flashing	Battery is charging.
⚠️ FAULT	Red	Solid On	The inverter is in the fault warning status.

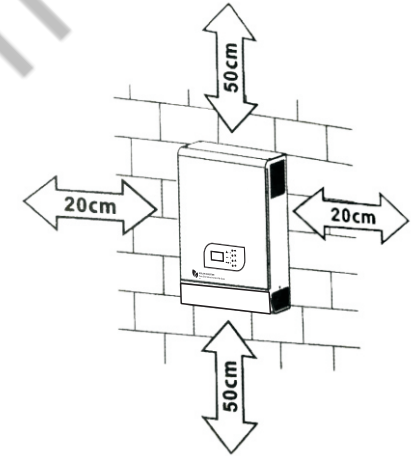
**Function Keys**

Function Key	Description
ESC	To exit setting mode
UP	To go to previous selection
DOWN	To go to next selection
ENTER	To confirm the selection in setting mode or enter setting mode

**Mounting the Unit**

Consider the following points before selecting where to install:

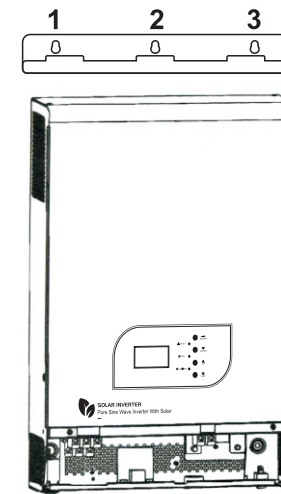
- Do not mount the inverter on flammable construction materials.
  - Mount on a solid surface
  - Install this inverter at eye level in order to allow the LCD display to be read at all times.
  - For proper air circulation to dissipate heat, allow a clearance of approx. 20cm to the side and approx. 50cm above and below the unit.
  - The ambient temperature should be between 0°C and 55°C to ensure optimal operation.
- The recommended installation position is to be adhered to the wall vertically
- Be sure to keep other objects and surfaces as shown in the diagram to guarantee sufficient heat dissipation and to have enough space for removing wires.



**SUITABLE FOR MOUNTING ON CONCRETE OR OTHER NON-COMBUSTIBLE SURFACE ONLY.**

Install the unit by screwing three screws.

- The hanging brackets 1, 2, and 3 are fixed on the wall with M6\*80mm expansion screws.
- The hook on the back of the Inverter is aligned with the hanging bracket hole.



**Battery Connection**

**CAUTION:** For safety operation and regulation compliance, it's requested to install a separate DC over-current protector or disconnect device between battery and inverter. It may not be requested to have a disconnect device in some applications, however, it's still requested to over-current protection installed. Please refer to typical amperage in below table as required fuse or breaker size.

## 5. TROUBLESHOOTING

Proceed as follows for quick detection of common faults. DC loads must be disconnected from the batteries and the AC loads must be disconnected from the inverter before the inverter and/or battery charger is tested.

Consult your local dealer/repair center if the fault cannot be resolved.

Tab.III

Problem	Cause	Solution
The inverter fails to operate when switched on	Battery terminal not firm	Tighten the battery terminals.
Continuous spark from the inverter terminal	Battery terminal reversal	Check and connect the cable to the right terminal lead.
No output from inverter	Output cable terminals loosed	Open the casing and connect the output cable terminals firm to the appropriate lead.
Inverter not charging battery	input power less than(<) 150/83~96VAC	A step-up stabilizer of rating higher than the inverter should be installed.
Continuous alarm when the inverter is loaded	Overloading condition	Check the loads and disconnect heavier loads.

## 6. INSTALLATION

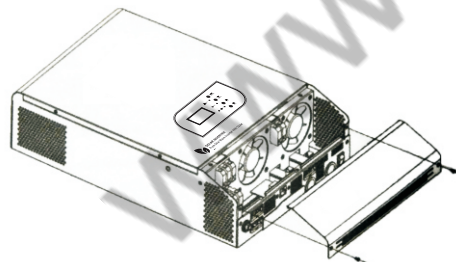
### Unpacking and Inspection

Before installation, please inspect the unit. Be sure that nothing inside the package is damaged. You should have received the following items inside of package:

- The unit×1
- User manual × 1
- Communication cable × 1

### Preparation

Before connecting all wirings, please take off bottom cover by removing four screws as shown below.



## 3. OPERATION

### 3.1 AC In

When power button is switched to “on”, the product is fully functional. The inverter will come into operation and the green LED “AC In” will light up.

### 3.2 Inverter Mode

In the event of a grid failure, or generator power being disconnected, the unit switches to inverter mode and takes over supply to the connected loads. This happens so fast (less than 10 milliseconds) that computers and other electronic equipment will continue to operate without disruption. The green LED light of “Inverter” indicates on the LCD panel.

### 3.3 Charging Mode

In the event of restoration of grid, or generator power, the Inverter commences charging. The “AC In” green LED light comes up, and the orange “Charge” light starts blinking. When the batteries are fully charged, the blinking orange light changes to Solid Orange.

### 3.4 Alarm Mode

In the event of high battery discharge, and its gets close to the battery cutoff level, the red “Alarm” light starts showing, and it is accompanied with a beeping sound, this continues until the units gets to the battery voltage cutoff level and its powers down automatically, except there is a restoration of grid supply in which case it changes back to charging mode.

### 3.5 Bypass Functionality:

When the power control button is switched to “OFF”, and there is a grid or generator supply, the inverter supplies output to the load and also charges.

When the power control button is switched to “OFF”, and there is no grid or generator supply, the inverter supplies does not supply output to the load.



### 3.6 Setting Mode/Error Codes for reference

Enter setting mode, Press "ENTER" button for 10 seconds.

Exit setting mode, Press "ESC" button repeatedly.

1. Press "UP" or "DOWN" button to choose the parameter and then press "ENTER" button.
2. When parameter is flashing, press "UP" or "DOWN" to change it and then press "ENTER" button to confirm.

3. In normal mode, press "ESC" button for 10 seconds to switch to ECO mode.

When setting: Setting icon is flashing

Setting succeed: Left-sided frame of the parameter will flash

Setting failed: FAULT light on

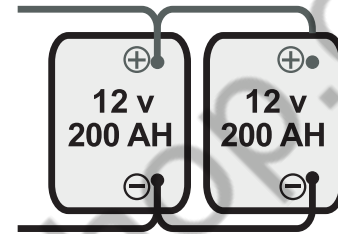
Settings	Display (Left)	Display (Mid)	Display (Right)	Setting range	Descriptions
Mains input voltage range	Alr	00	UPS	Narrow range	Mains input range is 155-265V
			APL	Wide range	Mains input range is 180-265V
Mains frequency oltage range	AFr	01	LO	Narrow range	Mains input frequency range is 45-65HZ
			HI	Wide range	Mains input frequency range is 40-70HZ
Working mode	None	02	UTI	Mains priority	The utility power will provide power to the load first. Only when the utility power is not enough to supply the load, the solar energy And the battery will provide power to the load.
			SOL	Solar priority	When solar energy is sufficient, solar energy will be preferentially provided to the load. When there is solar energy but not enough, the solar energy and battery power will provide power to the load at the same time. When there is no solar power, the utility will provide power to the load. At the same time, If the battery voltage drops to the low-battery warning voltage point or the set DC-to-AC voltage point, the mains will also provide power to the load.
			SBU	Battery priority	When solar energy is sufficient, solar energy will be preferentially provided to the load. When there is solar energy but not enough, the solar energy and battery power will provide power to the load at the same time. If the battery voltage drops to the low battery warning voltage point or the set DC to AC voltage point, the mains will provide power to the load.
Charging mode	None	03	CUT	Mains priority	The energy of the mains and the solar nergy charge the battery at the same time
			CSO	Solar priority	In the solar priority mode, when the PV meets the requirements, the battery is charged with solar energy preferentially, and when the battery voltage is too low, the mains charge will be started
			OSO	Solar charging only	The machine simply uses the energy of solar energy to charge the battery
Mains charging current ratio	ACP	04	100%	10~100%	Adjustable charging current ratio of mains
Solar charging current ratio	SCP	05	100%	20~100%	You can adjust the charging current proportional solar
Boost charging voltage	CU	06	14.2V	13.5~15.0V	Bulk charging voltage setting, according to different types of batteries

### Difference between Series and Parallel connection

#### Batteries in Parallel

Voltage remain the same

Ah capacity doubles



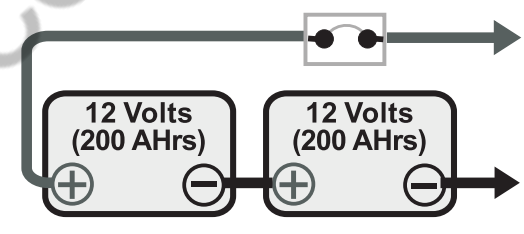
System Voltage = 12Volts

Ah Capacity = 400AH

#### Batteries in Series

Voltage doubles

Ah capacity stays the same



System Voltage=24V

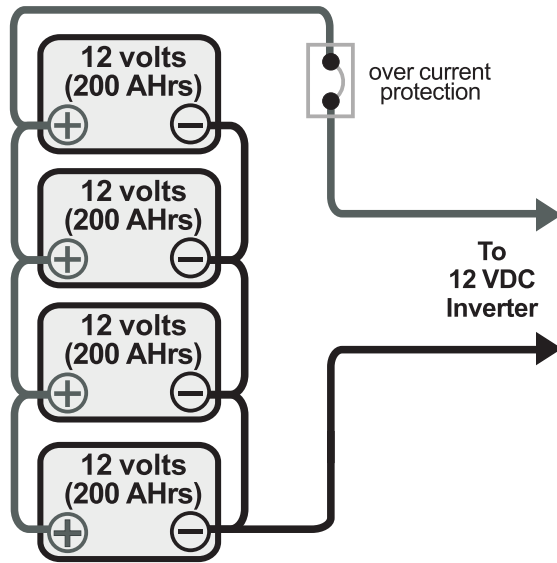
Ah Capacity=200AH

Tab.II

Models	DC Rating (Volts)	Minimum Batteries	Maximum Batteries
10048	48	4	16

### 4.3.3 Parallel and Series Connection

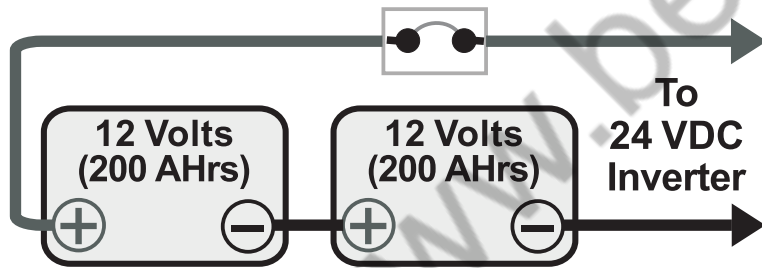
12 Volts Battery In Parallel



12 volt battery (total capacity=800 Ah)

**Fig 6. Parallel Battery Wiring**

12 volts Battery in Series



24 Volts battery (total capacity=200 Ah)

**Fig 7. Parallel Battery Wiring**

Settings	Display (Left)	Display (Mid)	Display (Right)	Setting range	Descriptions
Float charging voltage	FLU	07	13.6V	12.5~14.0V	Float voltage setting, according to different types of batteries
Battery lockdown voltage	COU	08	10.2V	9.5V~11.5V	Set the shutdown voltage point of battery protection voltage
Charging voltage of mains recovery	DTA	09	12.0V	11.5~12.5V	Set the battery voltage point when the mains power is involved in the solar energy priority charging mode
Charging voltage of mains off	ATD	10	13.5V	13.0V~14.0V	Select the voltage point of converting from mains to solar power in solar priority mode
Inv. output voltage	OU	11	220V	200~240V	Set the inverter output voltage
Mains detection speed	CST	12	HI	High speed	Mains sensitivity settings: high medium low
			IDE	Mid. speed	
			LO	Low speed	
Inv. output frequency	OF	13	50Hz 60Hz		Set inverter output frequency
Fault restart switch	RA	14	TE	On	Restart 3 times after short circuit or overload
			TD	Off	No restart after short circuit or overload
Backlight control	BLC	15	LON	Always on	The display backlight is always on
			LOF	Always off	The display backlight is always off
			LOD	Delay off	Display backlight smart switch
Buzzer control switch	BEC	16	AON	On	Allows beeping in fault state
			AOF	Off	No beeping in any state
Low battery alarm switch	BOL	17	OFF	Off	Intelligent battery protection function, it is not recommended to change
			ON	On	
Load limit	LL	18	OFF	Off	Intelligent transformer temperature protection function, it is not recommended to change
			ON	On	
Load alarm limit	LEL	19	OFF	Off	This setting does not adapt to this inverter. Setting not available.
			ON	On	
Baud rate	BAU	20	0	2400	Set the communication baud rate
			1	4800	
			2	9600	
Output display mode	ODT	21	220V	220V	Set display output voltage
			110V	110V	
Swon bat voltage	BLS	22	11.5V	10.5V~12.2V	After the machine is shut down abnormally, the battery voltage must be higher than the set value before it can be turned on normally
Bat low off restart vol	BRU	23	13.0V	12.0V~14.0V	After the machine is shut down abnormally, the battery voltage must be higher than the set value before it can be turned on normally
Battery type	BTT	24	SEL	SEL	Sealed Lead Acid Battery
			GEL	GEL	Gel Battery
			FLD	FLD	Inter Cell
			USER	USER	Customer Customization
			TER	LiCoMnNiO2	Ternary Lithium Battery
	LIF	BAT-LiFePO4	Lithium Iron Phosphate Battery		
Factory	RS	25	OFF	Off	All settings are restored to factory settings
			ON	On	No recovery process, keep existing settings

#### Error Codes for reference

Display (Left)	Display (Right)	Details
ALA	021	Inverter communication connection failure alarm
ALA	233	Abnormal mains output alarm
ALA	236	Abnormal machine load alarm
ALA	237	Inverter overload alarm
ALA	231	Abnormal output alarm
ALA	234	High battery voltage alarm
ALA	235	Low battery voltage alarm
ALA	241	Memory chip read and write error alarm
ALA	232	Memory chip connection failure alarm
ALA	238	Inverter over temperature alarm
ALA	239	Load-causing over temperature alarm
ALA	242	Host computer software planned shutdown alarm
FAL	102	Inverter overload shutdown fault
FAL	104	Abnormal output fault
FAL	105	Abnormal load fault
FAL	106	Inverter over temperature fault
FAL	135	High battery voltage fault
FAL	134	Low battery voltage fault
FAL	123	Load-causing over temperature fault
FAL	169	Current detection signal failure
FAL	161	Abnormal mains output fault
FAL	152	Temperature sensor connection failure
FAL	162	Host computer software planned shutdown failure

#### 4.3.2 DC Wiring Size

It is important to use the correct sized DC wire to achieve maximum efficiency from the system and to reduce fire hazards associated with overheating. Always keep your wire runs as short as practical to prevent low voltage shutdowns and to keep the DC breaker from nuisance tripping (or open fuses) because of increased current draw.


The correct minimum DC wiresize (and corresponding overcurrent device) is required in order to reduce stress on the inverter, minimize voltage drops, increase system efficiency and ensure the inverter's ability to surge heavy loads.

If the distance from the inverter to the battery bank is  $\leq 5$  feet, use a minimum DC wire size of #2 AWG (33.6 mm<sup>2</sup>). If the distance between the inverter and the battery is  $> 5$  feet, the DC wire will need to be increased. Longer distances cause an increase in resistance, which affects the performance of the inverter.

Tab.1

Models	Minimum DC Wire Size(rating)	Maximum DC Fuse size	DC Grounding wire size
<b>10048</b>	50mm <sup>2</sup>	250A	4.0mm <sup>2</sup>

Proceed as follows to connect the battery cables:

 <b>WARNING</b>
<ul style="list-style-type: none"> <li>● Use an insulated box spanner in order to avoid shorting the battery.</li> <li>● Avoid shorting the battery cables.</li> </ul>

Connect the battery cables: the + (red) on the left and the-(black) on the right,to the battery.Reverse polarity connection (+ to - and - to +) will cause damage to the product.(Safety fuse inside the Inverter unit can be damaged)

The DC overcurrent device (i.e.,fuse or circuit breaker) must be placed in the positive (RED) DC cable line between the inverter's positive DC terminal and the battery's positive terminal (RED);as close to the battery as possible.

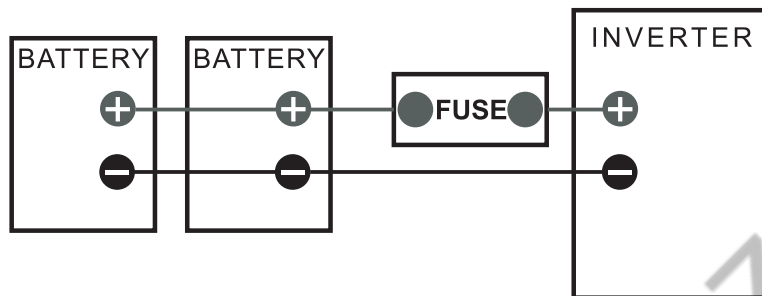


Fig 5:Inline fuse


A brief spark or arc may occur when connecting the battery cables to the inverter DC terminals;this is normal and due to the inverter's internal capacitors being charged.

All wiring to the battery terminals should be checked periodically (once a month) for proper tightening

Secure the nuts tightly in order to reduce the contact resistance as much as possible.

Be aware that over-tightening or misthreading the nuts on the DC terminals can cause the bolts to strip and snap/break off.

## 4. INSTALLATION

 <b>WARNING</b>
A qualified electrician should install this product.

### 4.1 Locating and Mounting the Inverter

The product must be installed in a dry and well-ventilated area,as close as possible to the batteries.There should be a clear space of at least 10cm around the appliance for cooling.

Excessively high ambient temperature will result in the following:

- Reduced service life.
- Reduced charging current.
- Reduced peak capacity,or shutdown of the inverter.

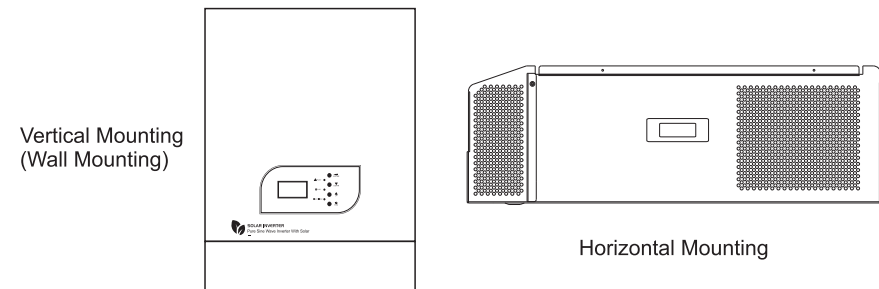
Never mount the appliance directly above the batteries.

The product is suitable for wall mounting.For mounting see Fig.1.

The appliance can be mounted horizontally as well as vertically;vertical mounting is preferable.The vertical position offers optimum cooling.

The interior of the product must remain accessible after installation. Try and keep the distance between the product and the battery to a minimum in order to minimize cable voltage losses.

For safety purposes,this product should be installed in a heat-resistant environment if it is used with equipment where a substantial amount of power is to be converted.You should prevent the presence of e.g. chemicals,synthetic components,curtains or other textiles,etc.,in the immediate vicinity.



Approved orientations for inverter mounting.

## 4.2 AC Wiring

This is a Safety Class I product (supplied with a protective grounding terminal). **Uninterruptible protective grounding must be provided at the AC input and/or output terminals and/or chassis grounding point located externally on the product.**

AC Wiring should be connected in the following order:

- AC INPUT (Source)
- AC OUTPUT (Load)



Fig 4:AC input/Output Connections

**AC Input:** The inverter comes installed with Input protection circuit breaker. This should be switched off before the cable is installed.

Remove the AC wiring compartment cover to gain access to the AC terminal strip inside.

Run the three conductors AC INPUT (source) wiring into the wiring compartment. Connect the AC INPUT ground wire first to the ground terminal (ground symbol with circle around it), and then connect the AC INPUT line (L) and neutral wire (N) to the corresponding AC input terminals.


**AC Output:** The inverter comes installed with Input protection circuit breaker. This should be switched off before the cable is installed. In a similar manner, connect the AC OUTPUT (load) wiring to the Inverter AC output terminal as was done on the AC Input

After wiring, double check and review all connections to make sure the wires are in the correct terminals and the terminals are tight

To ensure the best performance from your inverter system, do not use old or untested batteries. Batteries should be of the same size, type, rating, and age.

**AC Safety Grounding:** During the AC wiring installation, AC input and output ground wires are connected to the inverter. The AC input ground wire must connect to the incoming ground from your AC utility source. The AC output ground wire should go to the grounding point for your loads (e.g. a distribution panel ground bus).

## 4.3 DC Wiring:

 <b>WARNING</b>	
<b>DO NOT connect the DC wires from the battery bank to the inverter until:</b>	
<ul style="list-style-type: none"><li>● All AC wiring is complete,</li><li>● The correct DC and AC protection switches are OFF</li><li>● The correct DC voltage and polarity have been verified</li></ul>	

Depending upon the type of batteries you use in the installation (6 or 12 VDC), the batteries must be wired in series, parallel, or series-parallel. The interconnecting DC wires must be sized and rated exactly the same as those that are used between the battery bank and the inverter.

To ensure the best performance from your inverter system, do not use old or untested batteries. Batteries should be of the same size, type, rating, and age.

### 4.3.1 procedure

In order to fully utilize the full capacity of the product, batteries with sufficient capacity and battery cables with sufficient cross section should be used.