

## AE-VC152T-S Dome Vehicle-Mounted Camera

### Key Feature

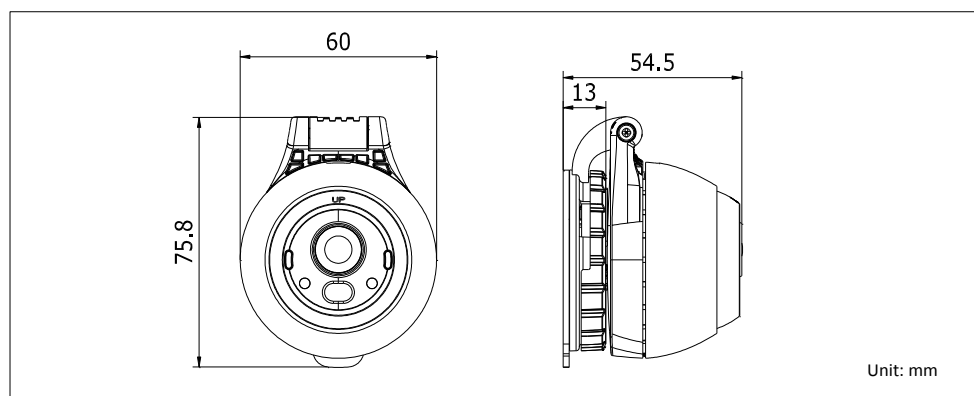
- Progressive scan CMOS
- Coaxial HD output, up to 720P resolution
- Low illumination, 0.1 lux @ (F1.2, AGC ON)
- Adopts electronic shutter to adapt to different environment
- Supports auto gain control, self-adaption to light
- Built-in MIC, supports audio input
- Adapts shock-proof design and aviation plug



### Available Model

AE-VC152T-S

### Dimension



## Specification

Camera	
Image Sensor	Progressive Scan CMOS
Min. Illumination	0.1 Lux @ (F1.2, AGC ON)
Shutter Time	1/25 to 1/50,000 s
FOV	2.1 mm, horizontal FOV 126°, vertical FOV 66°, diagonal FOV 154° 2.8 mm, horizontal FOV 96°, vertical FOV 51°, diagonal FOV 115°
Lens Mount	M12
Angle	Bracket rotate: 0 to 180°
Day & Night	No
Frame Rate	720p @25 fps
Synchronization	Internal
S/N Ratio	42 dB
Interface	
Video Output	1, Vp-p Composite Output (aviation plug)
Audio Input	Build-in MIC
Audio Output	1, aviation plug (linear resistance: 1 kΩ)
Aviation Pin Order	1: Video; 2: Audio, 3:Power, 4: Grounding
General	
Working Temperature	-40°C to 75° C (-40 °F to 167 °F)
Working Humidity	≤ 90%
Power Supply	9 to 16 VDC
Power Consumption	Max. 1.2 W
Dimension	60 mm × 75.8 mm × 54.5 mm (2.36" × 2.98" × 2.15")
Weight	200 g (0.44 lb)