

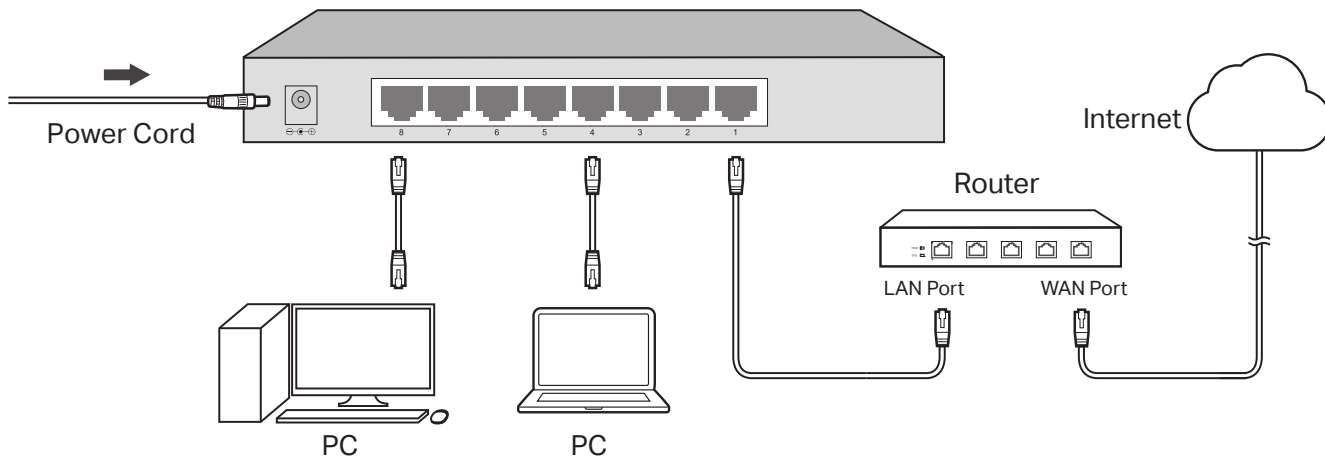


Installation Guide

Desktop Switch

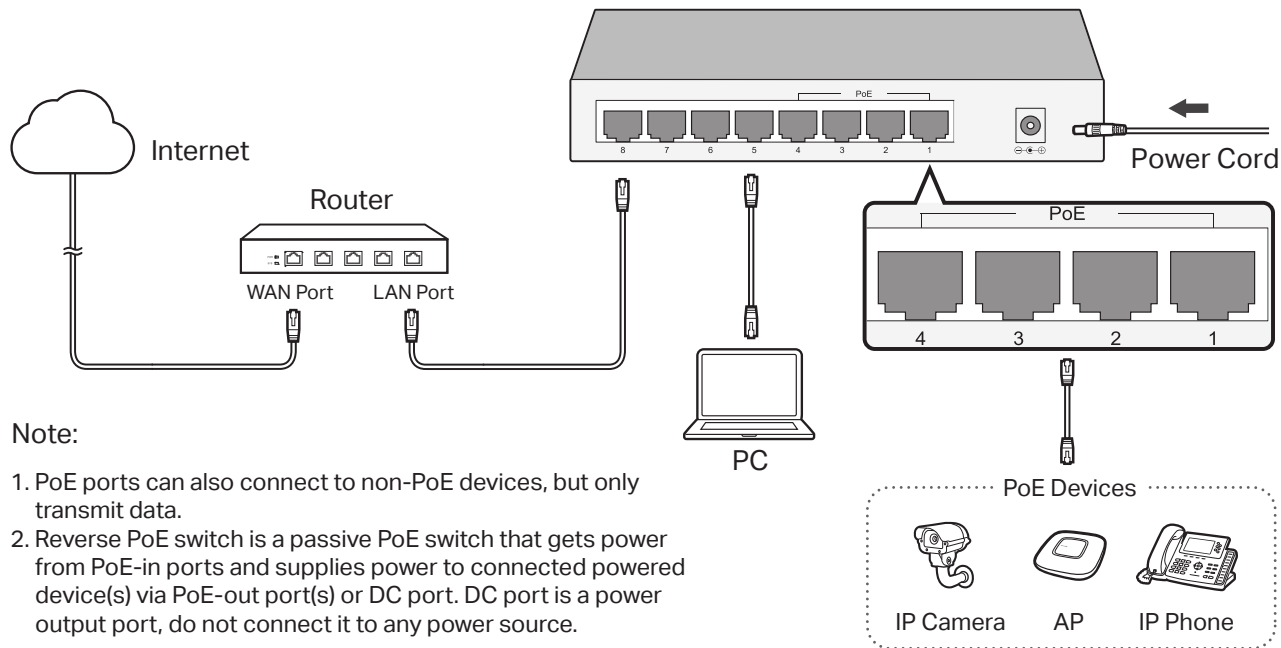
Desktop Non-PoE Switch

The image may differ from the actual product.



Desktop PoE Switch

The image may differ from the actual product.



Note:

1. PoE ports can also connect to non-PoE devices, but only transmit data.
2. Reverse PoE switch is a passive PoE switch that gets power from PoE-in ports and supplies power to connected powered device(s) via PoE-out port(s) or DC port. DC port is a power output port, do not connect it to any power source.

English

Safety Information

- Keep the device away from water, fire, humidity or hot environments.
- Do not attempt to disassemble, repair, or modify the device. If you need service, please contact us.
- Do not use damaged charger or USB cable to charge the device.
- Do not use any other chargers than those recommended.
- Adapter shall be installed near the equipment and shall be easily accessible.
- Place the device with its bottom surface downward.
- The plug on the power supply cord is used as the disconnect device, the socket-outlet shall be easily accessible.

Please read and follow the above safety information when operating the device. We cannot guarantee that no accidents or damage

will occur due to improper use of device. Please use this product with care and operate at your own risk.

TP-Link Limited Product Warranty

For TP-Link Branded Products Only.

THIS WARRANTY GIVES YOU SPECIFIC LEGAL RIGHTS, AND YOU MAY HAVE OTHER RIGHTS THAT VARY FROM STATE TO STATE (OR BY COUNTRY OR PROVINCE).

TO THE EXTENT ALLOWED BY LOCAL LAW, THIS WARRANTY AND THE REMEDIES SET FORTH ARE EXCLUSIVE AND IN LIEU OF ALL OTHER WARRANTIES, REMEDIES AND CONDITIONS.

TP-Link warrants the TP-Link branded hardware product contained in the original packaging against defects in materials and workmanship when used normally in according with TP-Link' s guidelines for some period which depends on the local service from the date of original retail purchase by the end-user purchaser.



For technical support, the user guide and other information, please visit <https://www.tp-link.com/support>, or simply scan the QR code.