

IS78 Rev.04
29/11/2014

CE



ROGER ACCESSORI

lampeggiante led R92/LED24 - R92/LED230

EN - Instructions and recommendations for the installer

 **ROGER**[®]
TECHNOLOGY
automazioni evolute

1 Introduction to the instructions and warnings

This manual is intended only to qualified technician for installation.

No information contained in this document may be considered of interest to the end user.

This manual refers to R92/LED24 and R92/LED230 led flashing lights and must not be used for different products.



WARNING



RISK OF
ELECTRIC SHOCK

Read the instructions carefully before performing the installation.

To avoid the risk of electric shock and personal injury, before working with the device, disconnect the power supply.

Installation should only be performed by qualified personnel in accordance with current laws.

Make the connections with appropriate cables with the current and voltage required and respect the features of the product.

2 Product description

The flashing lights R92/LED24 and R92/LED230 are signal lights, made by LED, to be connected to engine control units for the automation of gates.

The difference between the two versions is the supply voltage, R92/LED24 is powered by 24Vac/dc, while R92/LED230 is powered by 230Vac.

Both models come standard with the flash function enabled, when the flashing light is powered the light is switched on and off once per second. You can turn off the blinking cutting the bridge (J1, see picture 1) in this way the light is on all the time in which power is applied. If you choose this option, the control unit must be configured to perform the switching on and

off of the light (parameter 78). In this way you can achieve different flashing modes for opening and closing or to report error conditions.

4 Installation

Fix with care the base of the flashing light to a flat, solid and vibration-free surface, as shown in picture 2.

Make sure that the cable entry is sealed.

Make the connections to the control unit, the scheme is shown in pictures 3 and 4. If you are using the R92/LED230 connected to a control unit with an output voltage free (control units series H70) protect the device using a fuse 500mA delayed.

Connect the possible antenna (R91/AN1/LR1).

Place the cover and secure it with the supplied screws and place the cover ring, see picture 2.

5 Disposal

The product must be always uninstalled by the technical and qualified staff, using appropriate processes for the correct removal of the product.

This product is made of different materials, some of them could be recycled others must be disposed through recycling or disposal systems established by local regulations for this product.

It is forbidden to dispose the product into the house garbage. Make the "separate collection" for disposal according to the methods established by local regulations; otherwise return the product to the seller when you buy the new equivalent product.

Local regulations may provide for heavy penalties for illegal disposal of this product.

Caution: some parts of the product may contain pollutants and hazardous, if thrown they may cause dangerous effects to the environment and to the human health.

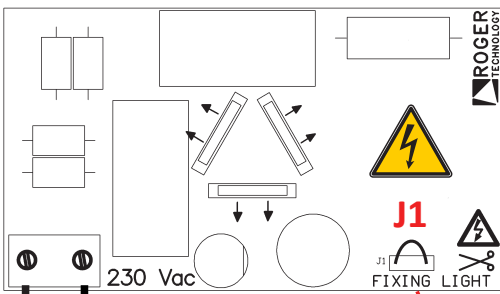


5 Technical features

	R92/LED24	R92/LED230
POWER SUPPLY	24Vac/dc \pm 10%	230Vac \pm 10% 50Hz
MAX POWER ABSORPTION	13W	10W
WORKING TEMPERATURE	-20°C ÷ +55°C	
PROTECTION GRADE	IP44	
PRODUCT SIZE	dimension in mm. \varnothing 128 h.131(without antenna) Weight: 240g	

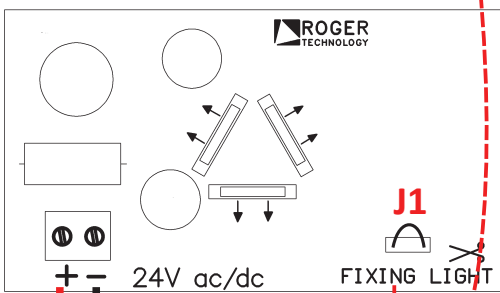
1

LED230



230Vac

LED24



24Vdc
24Vac

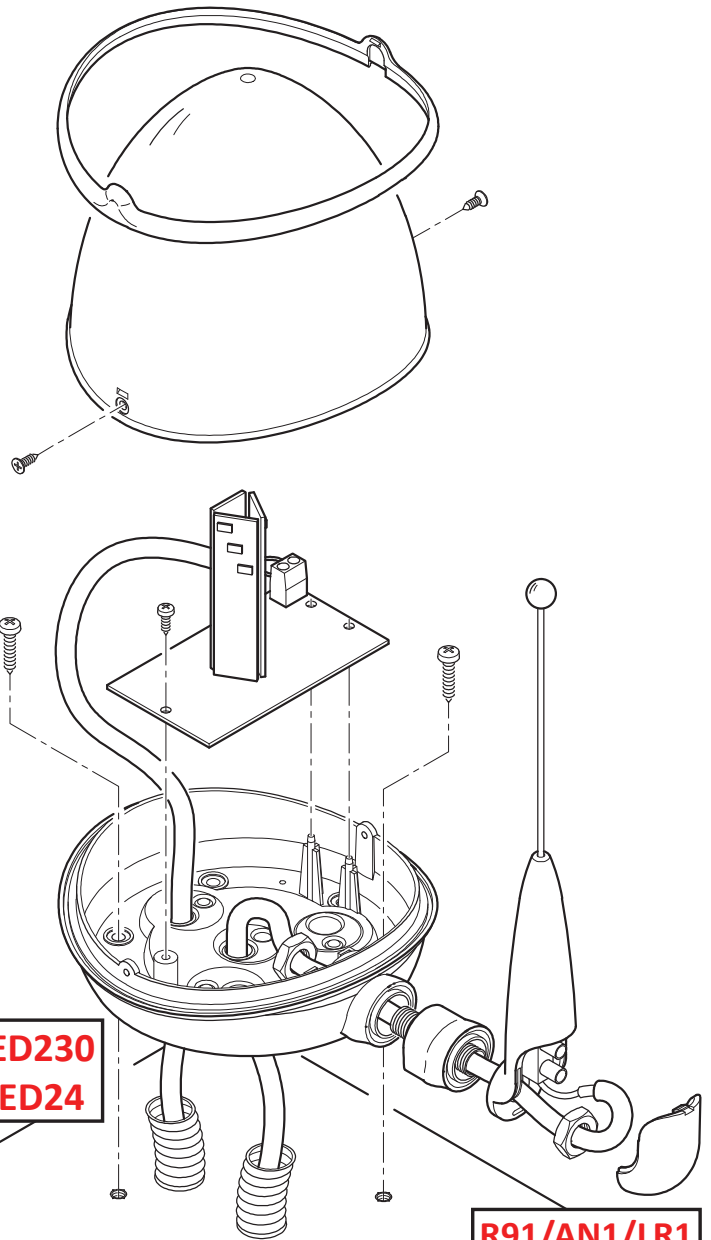
J1 **LAMPEGGIO
FLASHING**



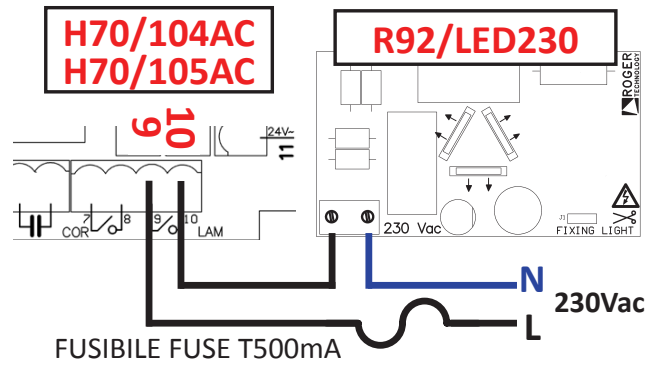
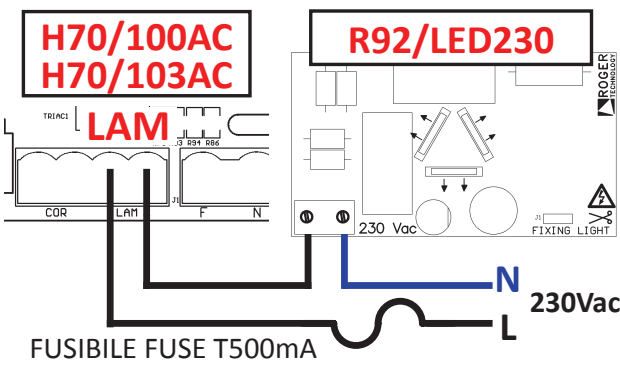
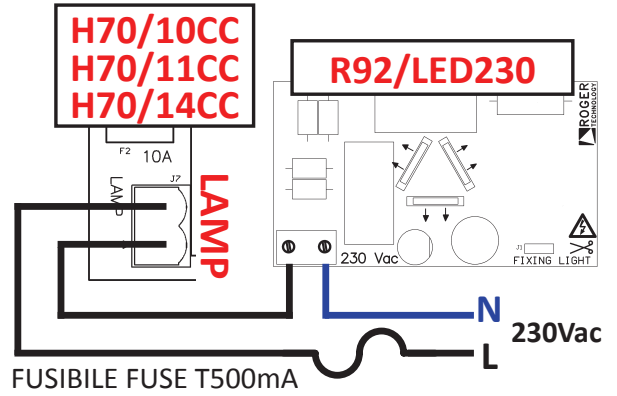
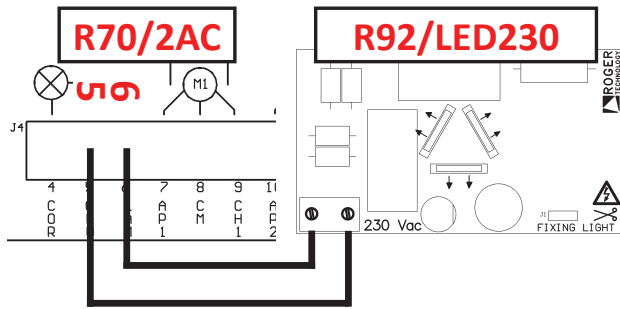
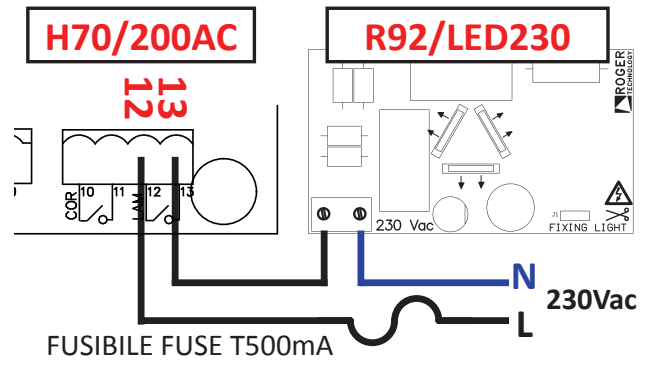
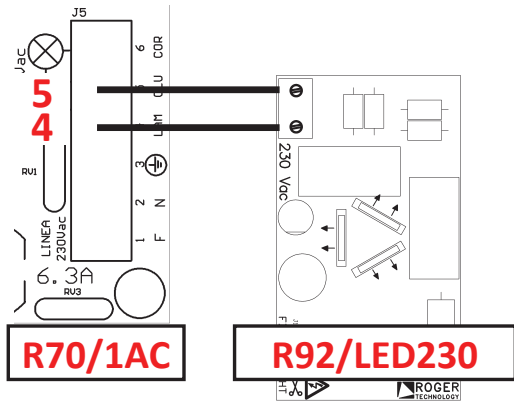
**LUCE FISSA
FIX LIGHT**

**SOLO
ONLY**
H70/104AC - H70/200AC
B70/2DC - B70/2DCHP
AG/CTRL

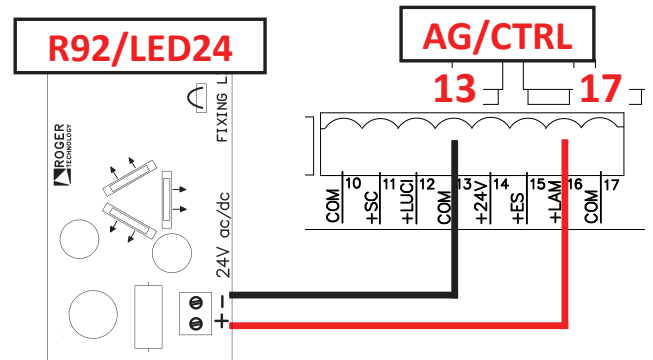
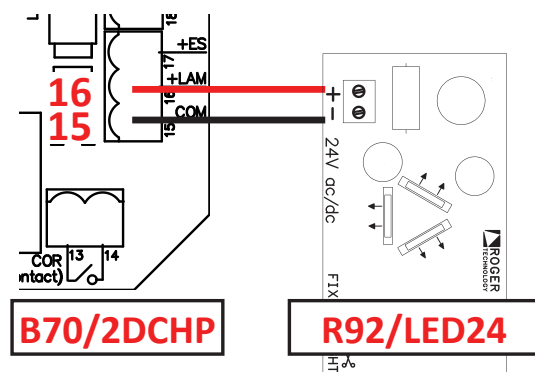
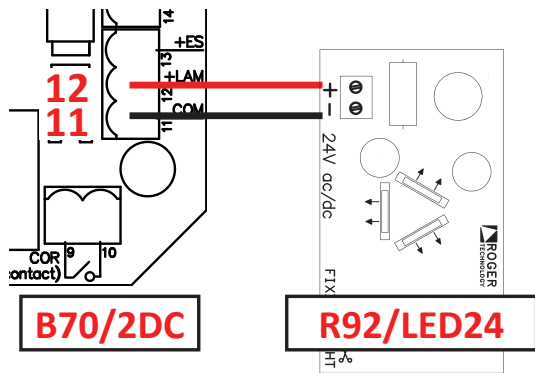
2



3



4



DECLARATION OF CONFORMITY

The undersigned, representing the following manufacturer

Roger Technology

Via Botticelli 8

31021 Bonisiolo di Mogliano V.to (TV)

DECLARES that the equipment described below:

Description: Flashing lights

Model: R92/LED24 and R92/LED230

Is in conformity with the legislative provisions that transpose the following directives:

- 2004/108/CE
- 2011/65/CE
- 2006/95/CE

And has been designed and manufactured to all the following standards or technical specifications

EN 61000-6-3

EN 61000-6-2

Last two figures of the year in which the CE mark was affixed is 13.

Place: Mogliano V.to

Date: 20-05-2013

Signature

