



YLI ELECTRONIC



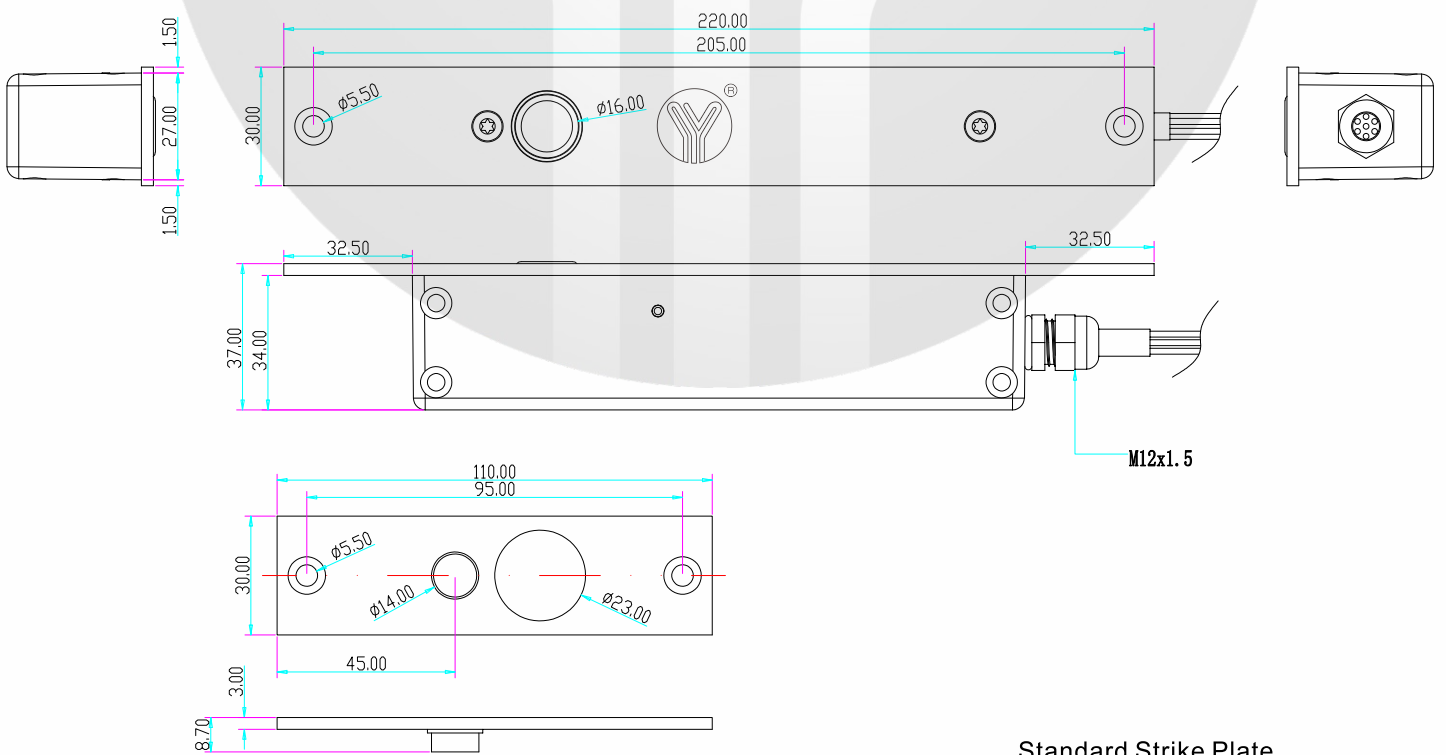
# Waterproof Electric Bolt

Model: YB-200IP

## Parameters

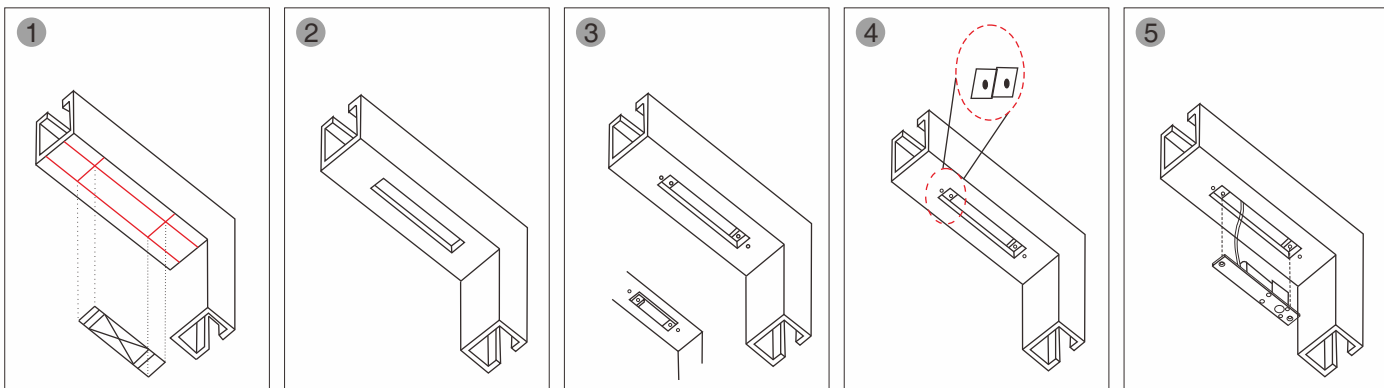
Face Plate	220Lx30Wx37H(mm)
Strike	110Lx30Wx3H(mm)
Decorative Panel	230Lx35Wx0.7H(mm)
Bolt	16mmDIA, stainless steel 16mm throw
Solid Bolt Holding Force	Polishing stainless steel, bearing 800kg
Signal Output	Door signal(NO/COM); Lock signal(NO/NC/COM)
Voltage	12VDC(Need order 24VDC)
Current	500mA
Feature	Fail Safe
Waterproof Level	IP 66
Suitable for	Wooden door, metal door, glass door
Induction Distance	8 m m
Face Place Material	High strength aluminum alloy
Weight	0.6 kg
Patent Number	202321292124.2

## Dimensions



Standard Strike Plate

# Installation



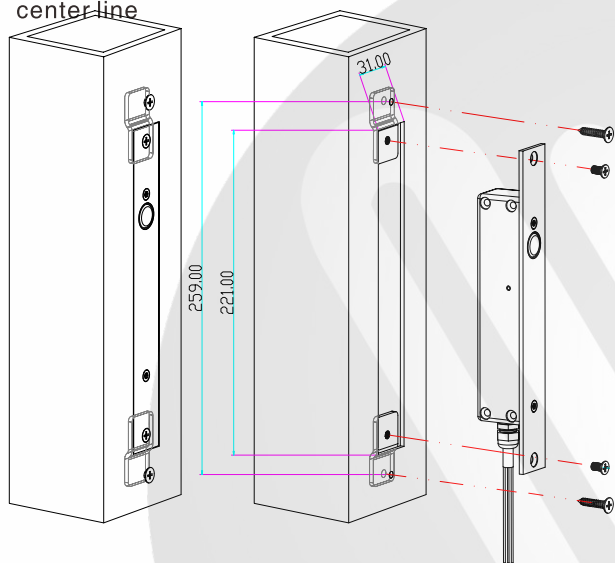
Place lock body template to match with door frame center line

Cut hole

Fix mounting plate (For hollow metal frame)

Connect wires

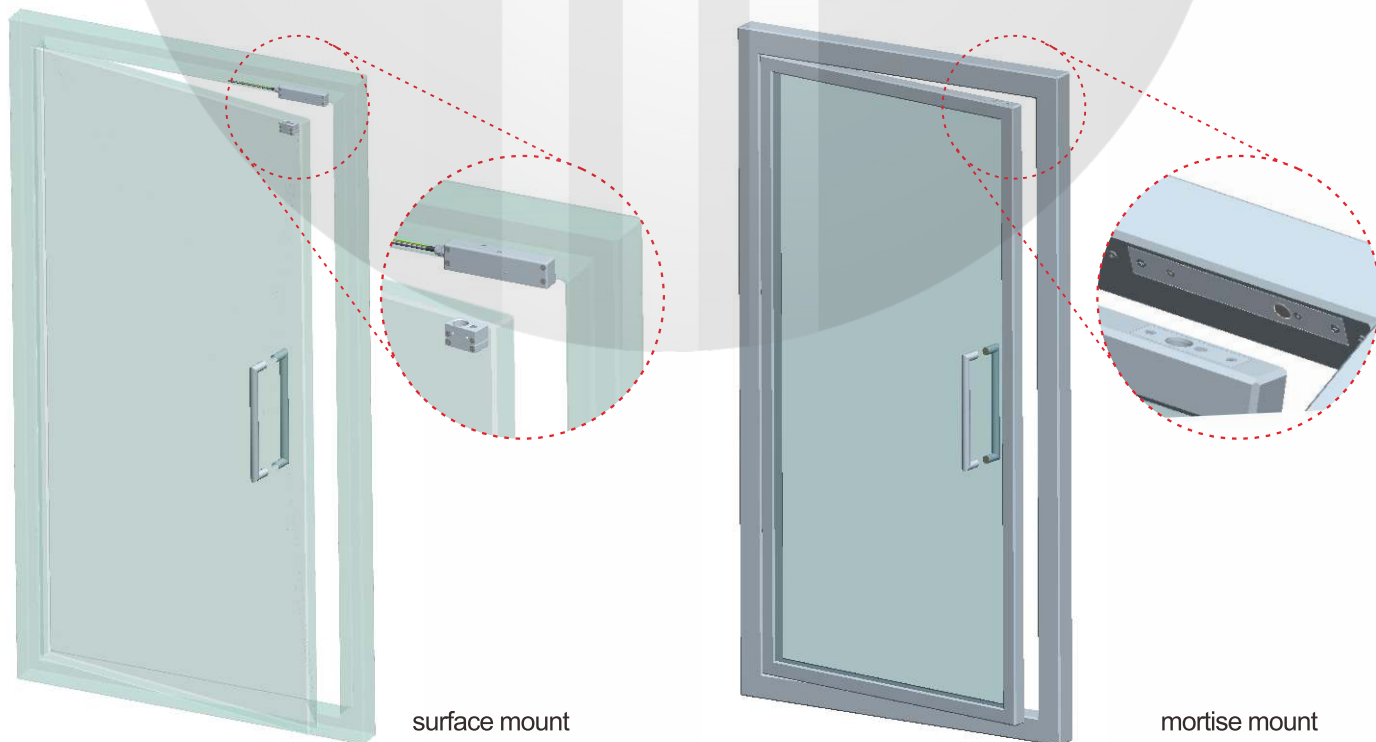
Mount lock body on the door frame and test



## Wiring diagram

	Red		+	
	Black		-	
	Green		NO	} Door signal
	White		COM	
	Blue		NO	} Lock signal
	Orange		NC	
	Yellow		COM	

# Installation Schematic



surface mount

mortise mount